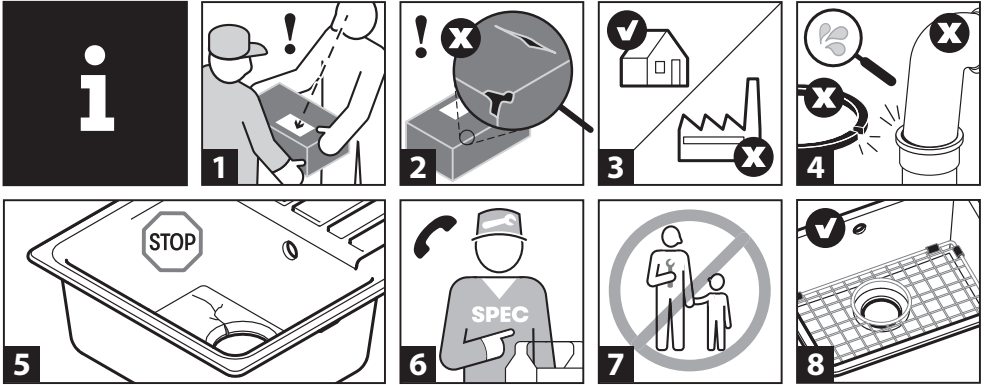


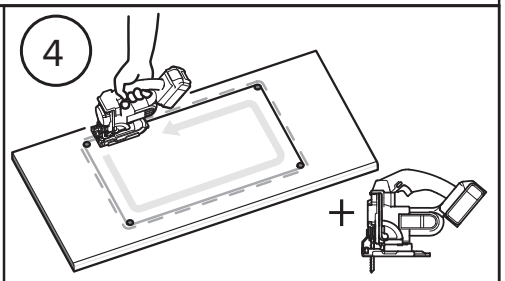
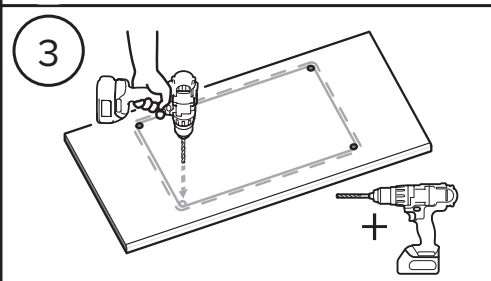
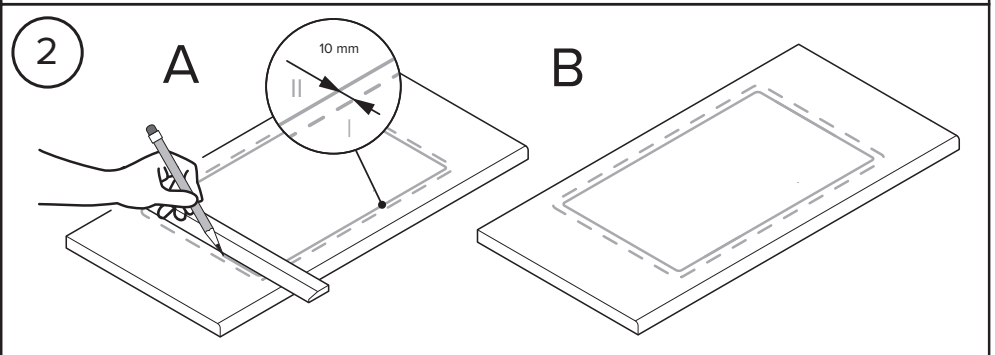
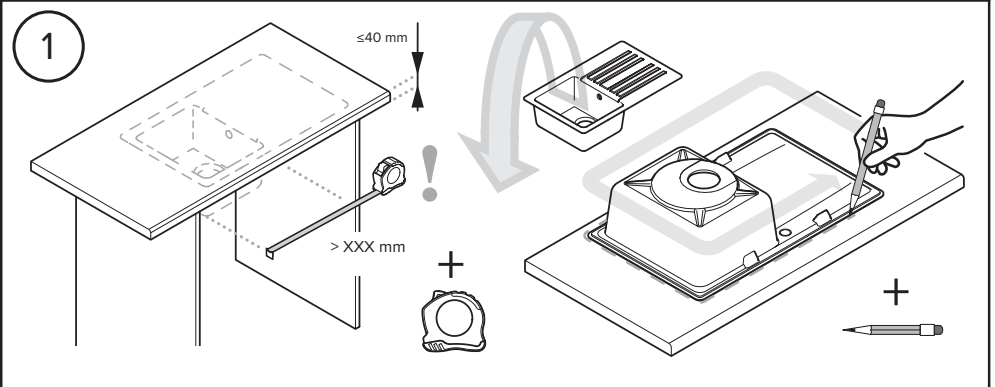
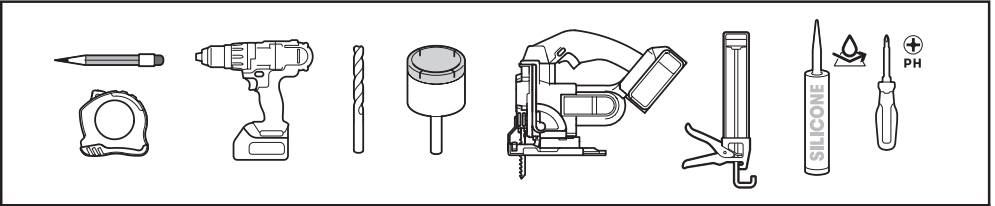
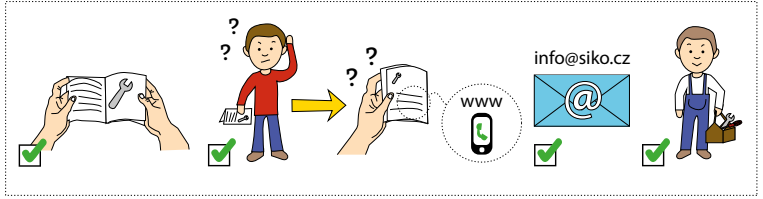
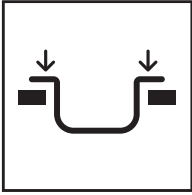


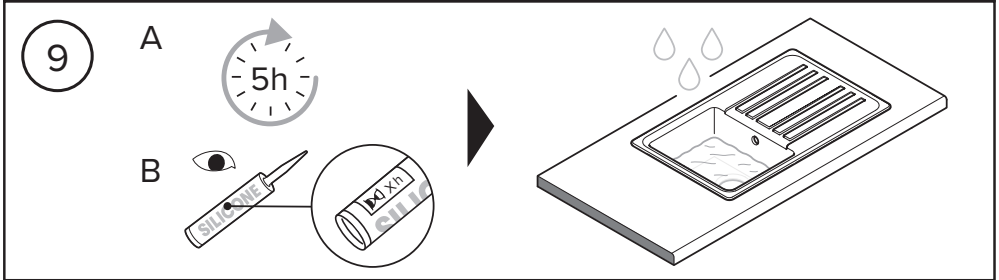
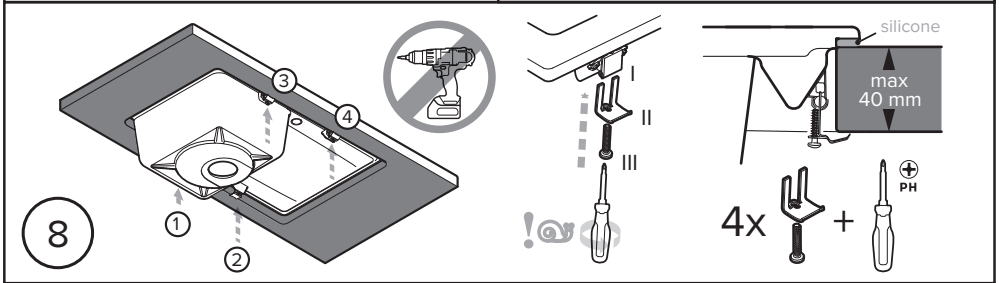
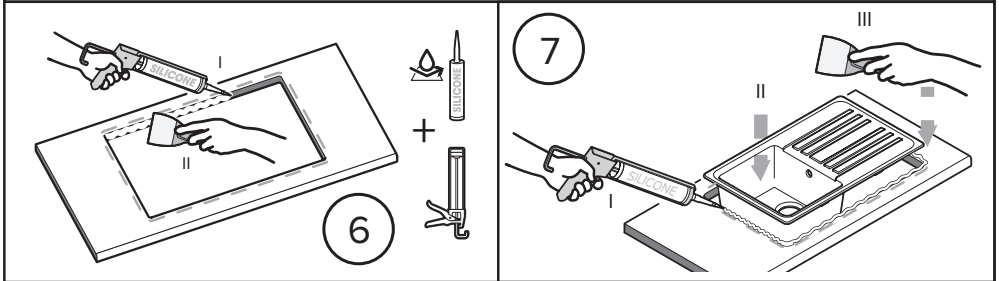
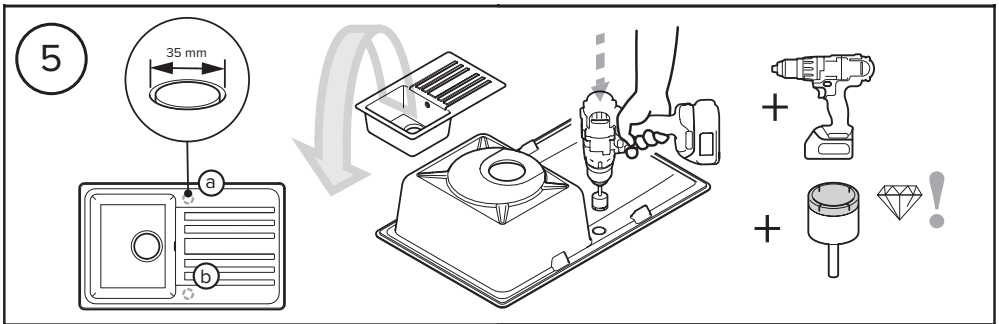
SATSINKXXX



✓ OK ✗ not OK







SAT® is registered trademark of



**Swiss
Aqua
Technologies**

Swiss Aqua Technologies AG
 Gewerbestrasse 9, 6330 Cham, Switzerland
www.swatec.ch
 Imported by SIKO KOUPELNY a.s.
 Made in Lithuania.