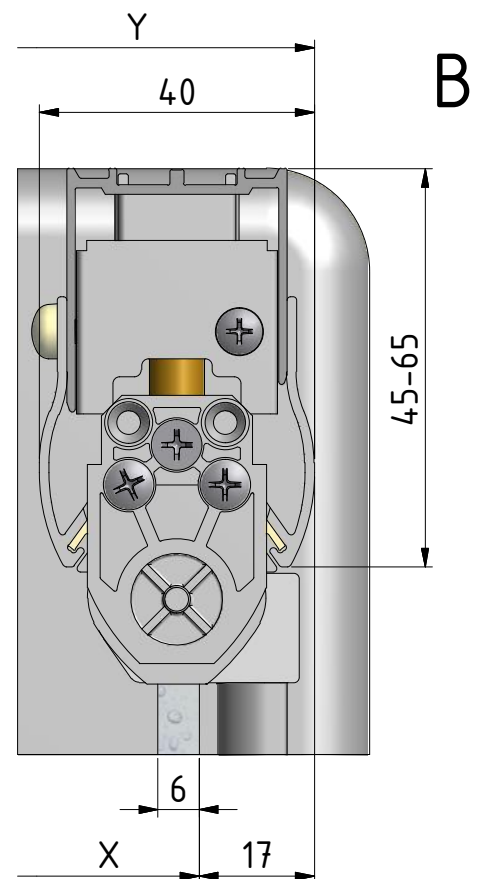
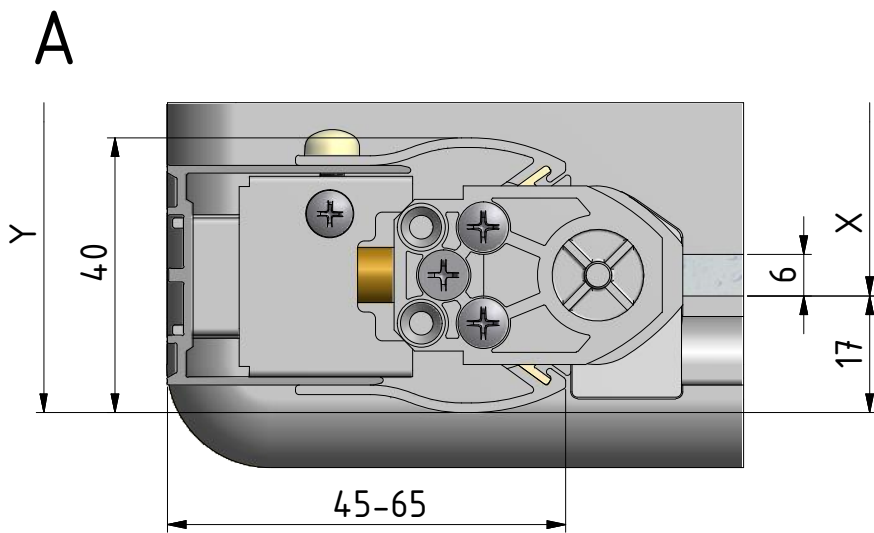
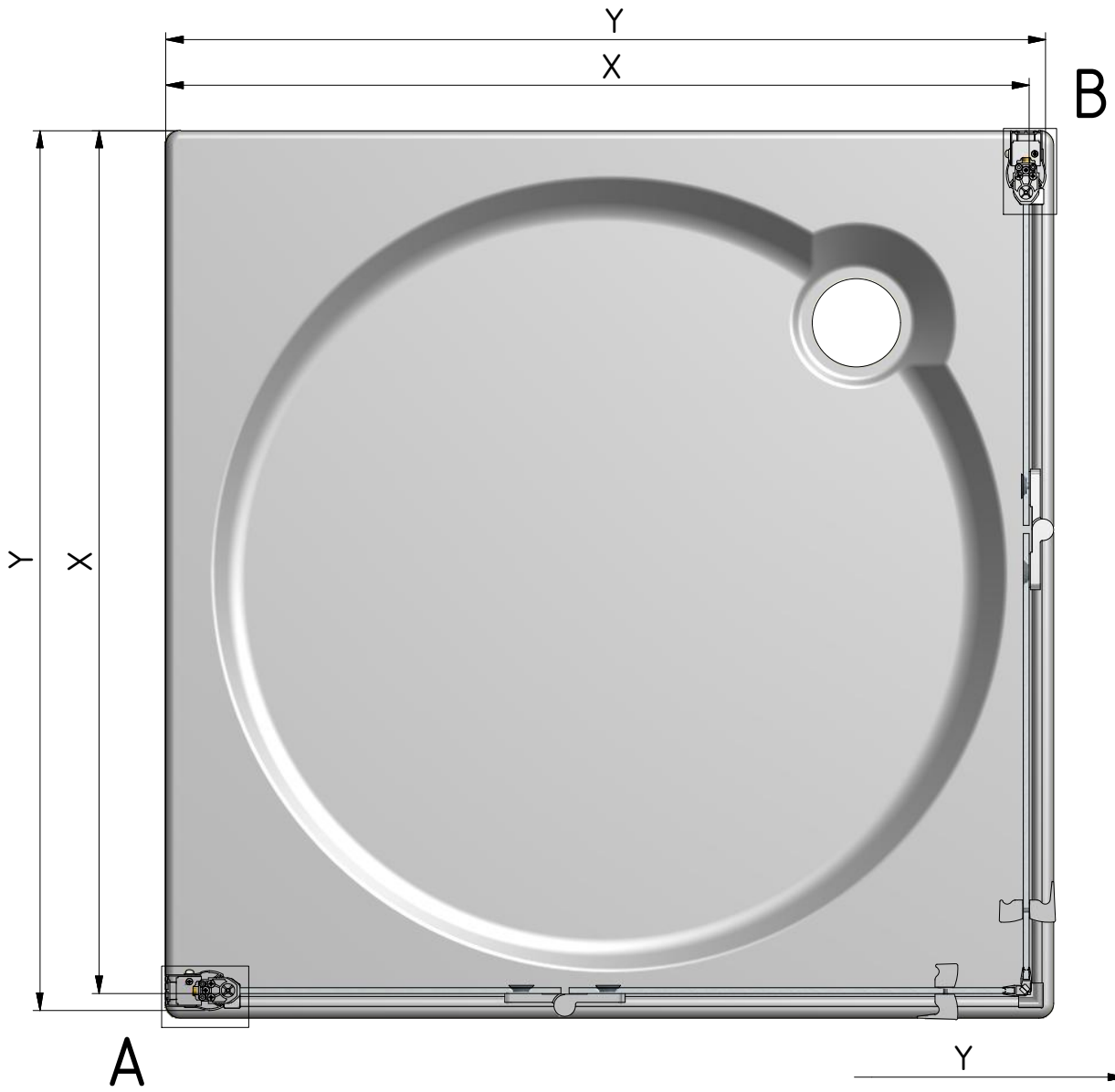


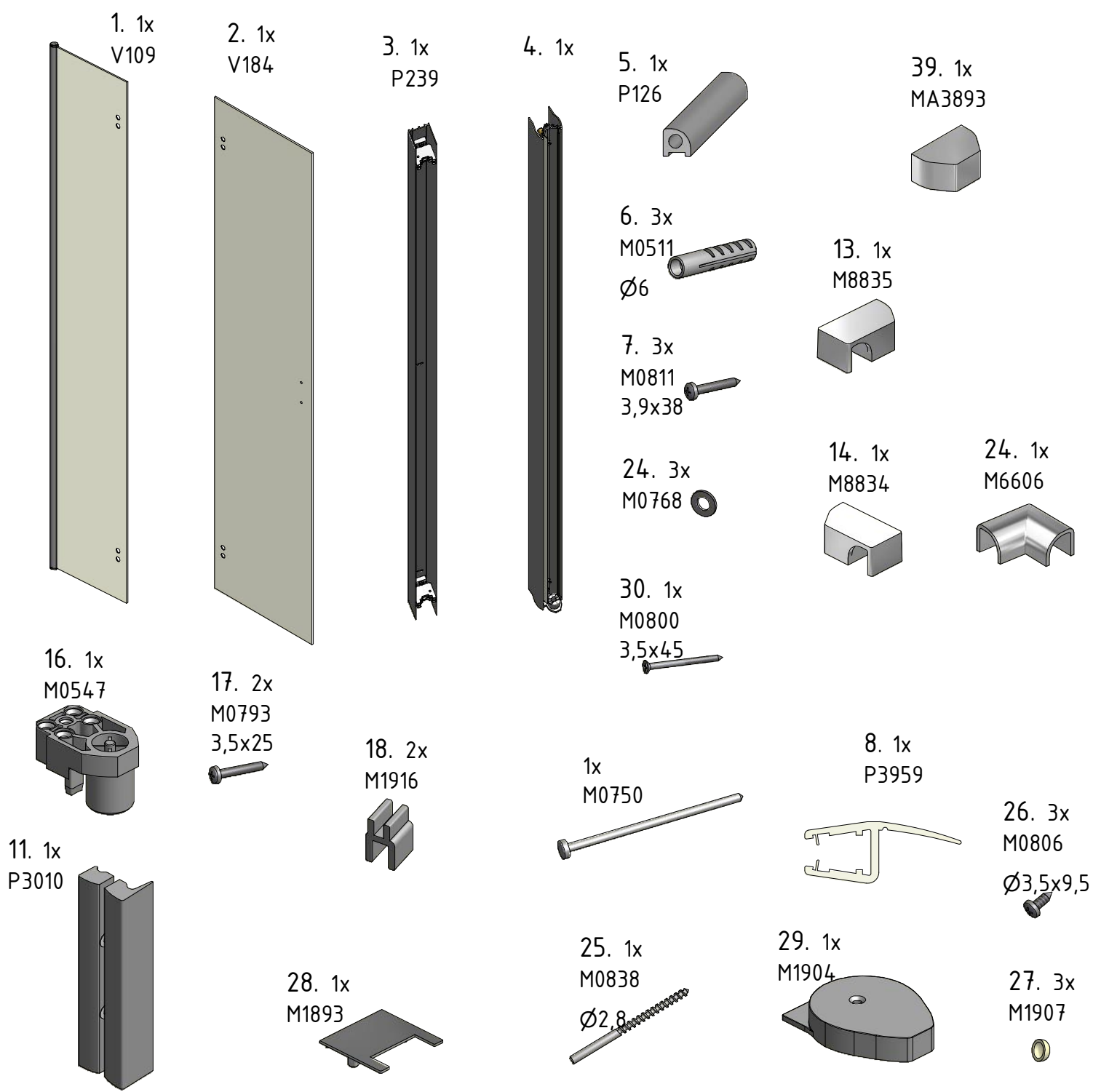
# TZOL1+TZOP1



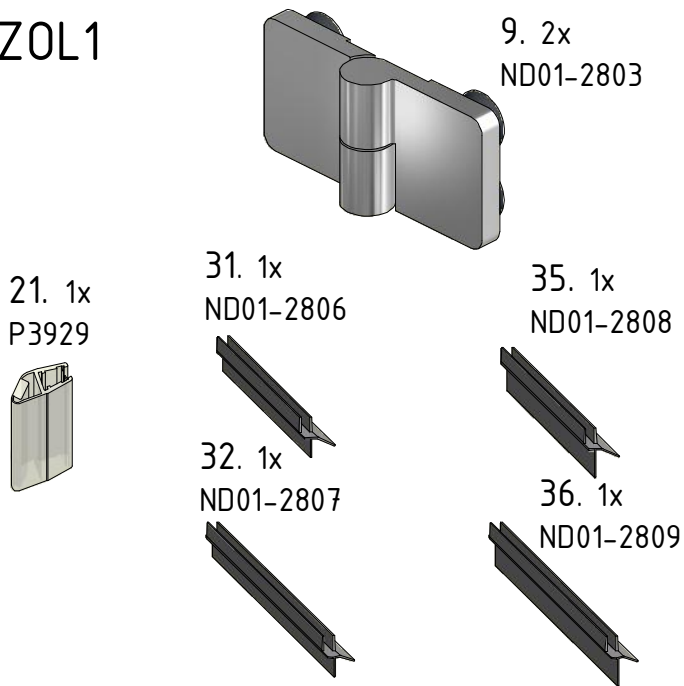
Roth Czech s.r.o. • Czech Republic • 569 33 • Třebařov 160  
tel.:+420 461 324 301/302, fax: +420 461 324 297  
<http://www.roth-czech.cz>; e-mail: [objednavky@rroth-czech.cz](mailto:objednavky@rroth-czech.cz)



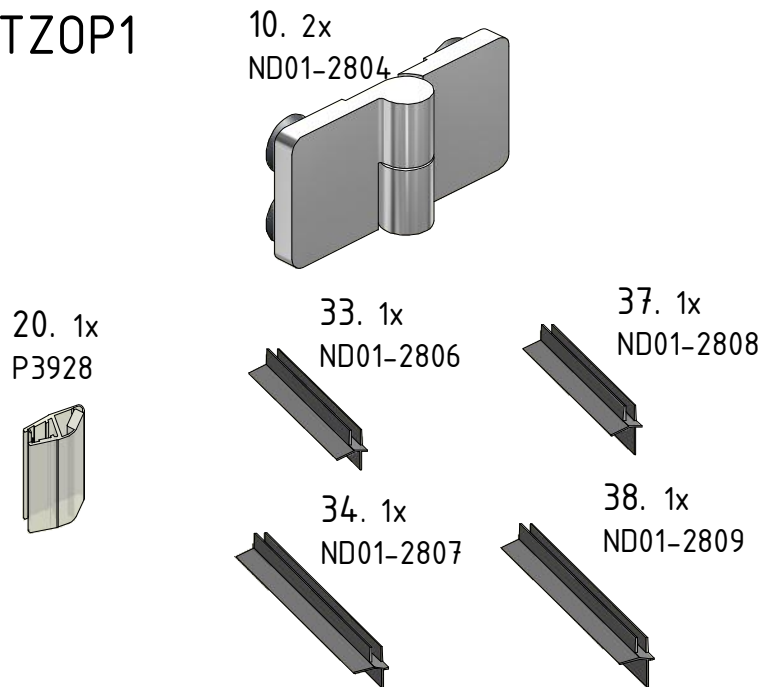
| TZ01 | X         | Y         |
|------|-----------|-----------|
| 800  | 755-775   | 775-795   |
| 900  | 855-875   | 875-895   |
| 1000 | 955-975   | 975-995   |
| 1100 | 1055-1075 | 1075-1095 |
| 1200 | 1155-1175 | 1175-1195 |

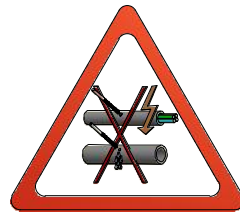
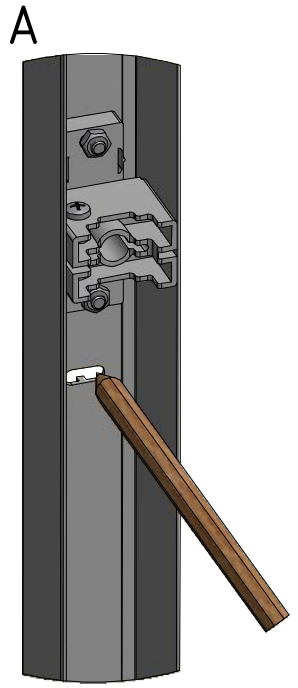
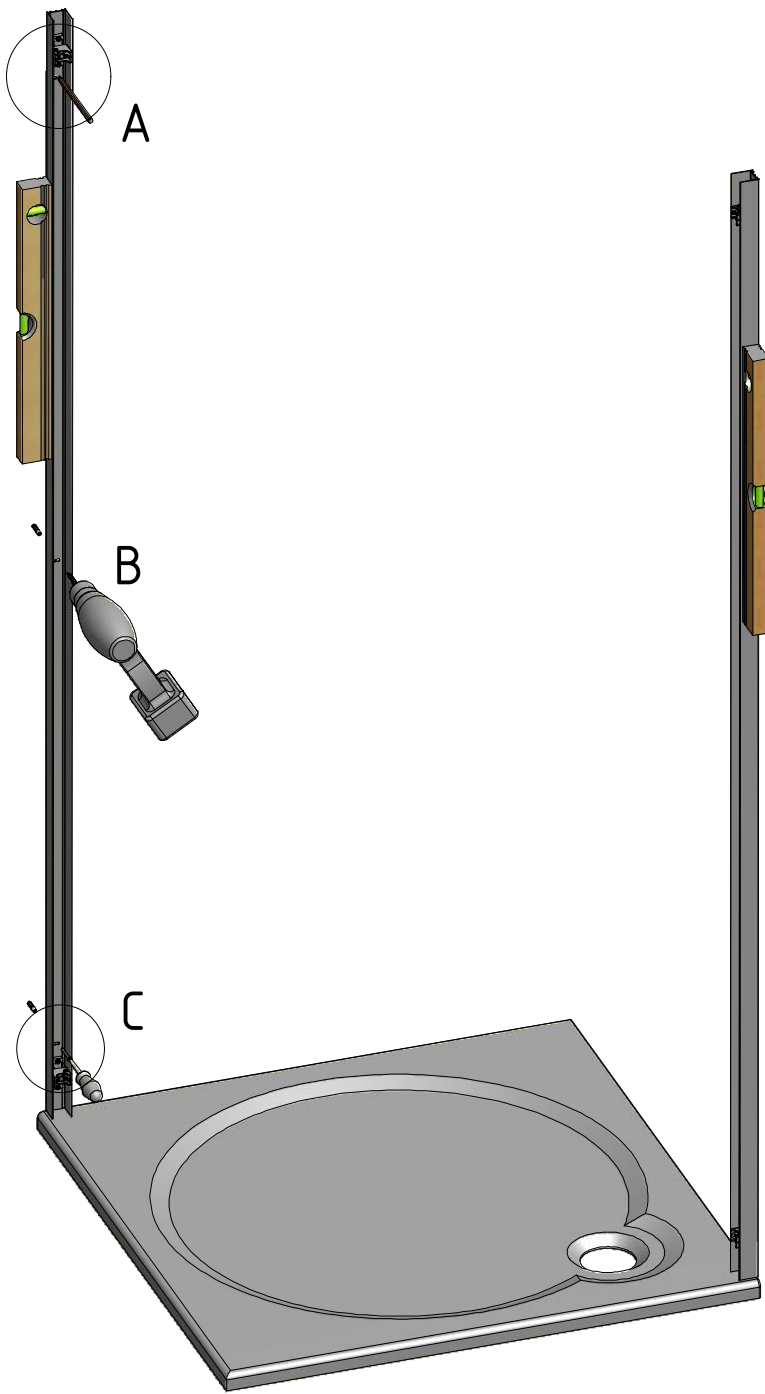


TZOL1

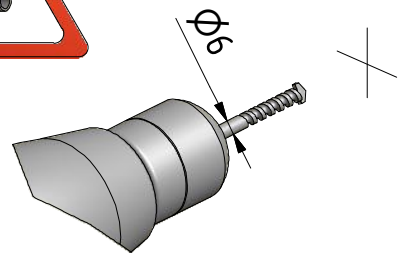


TZOP1

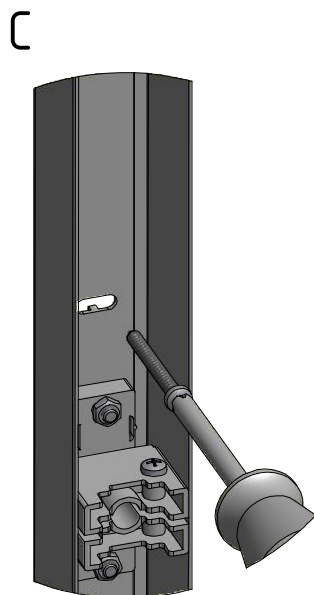
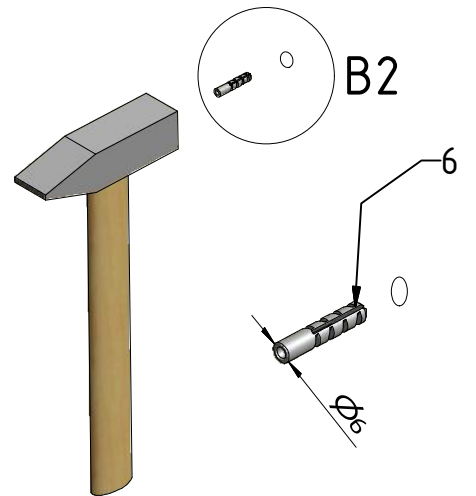




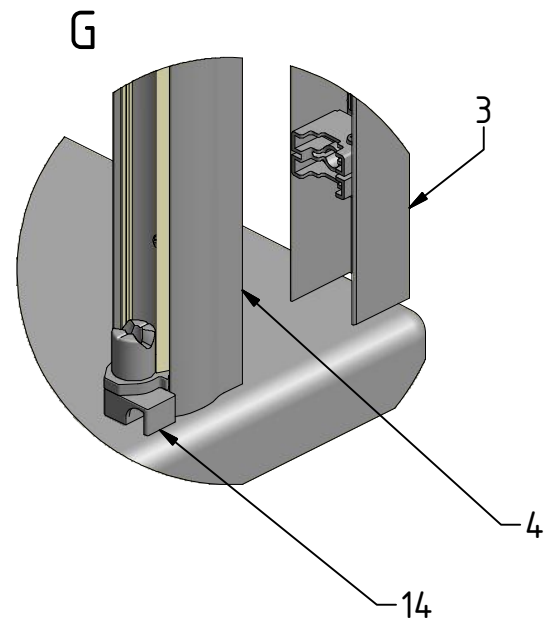
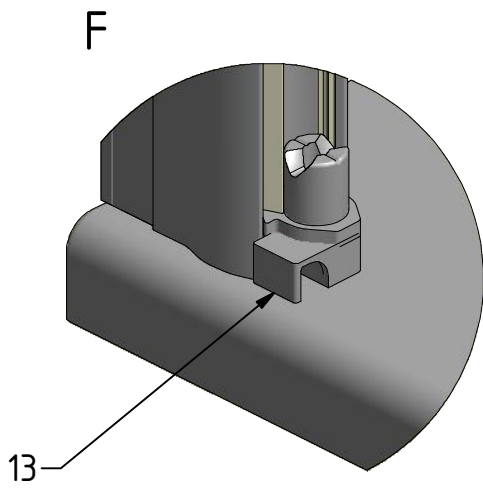
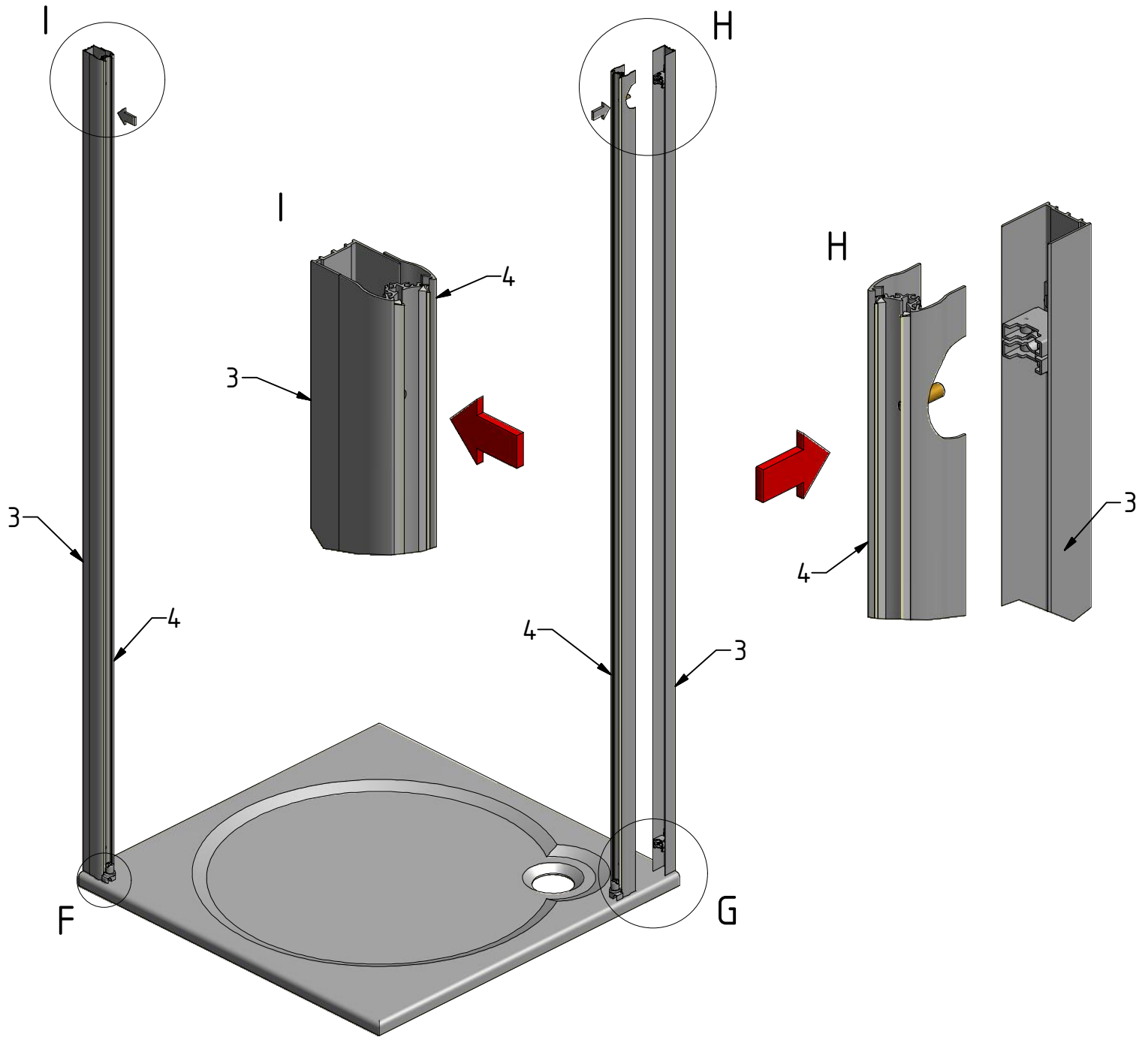
B1



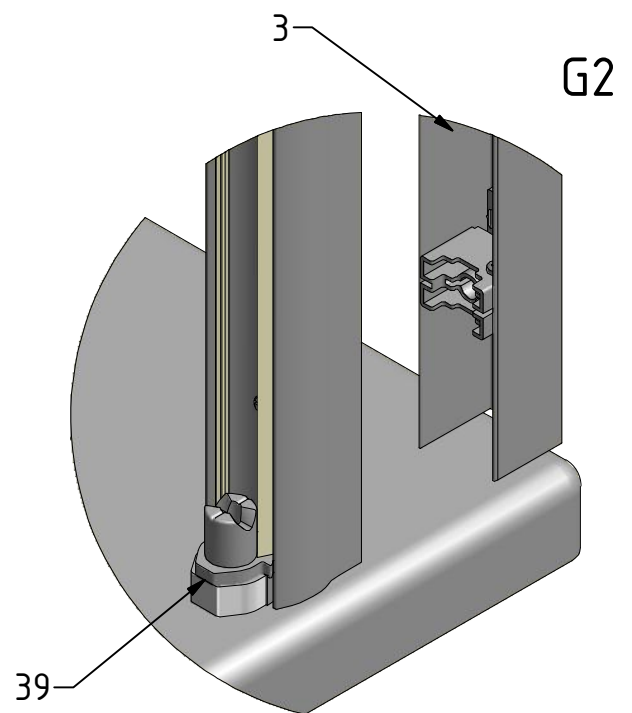
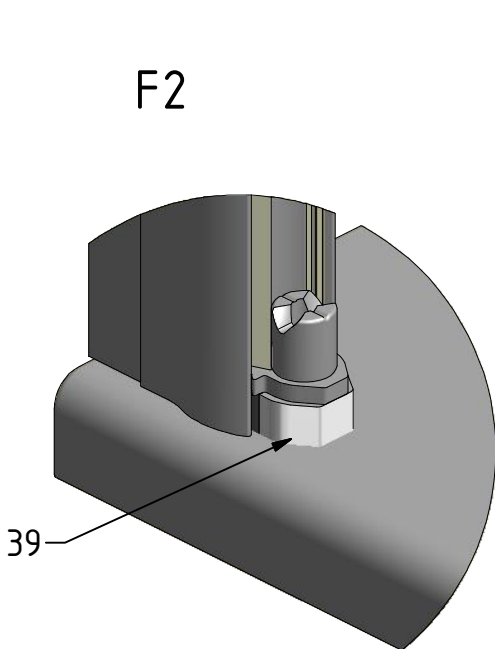
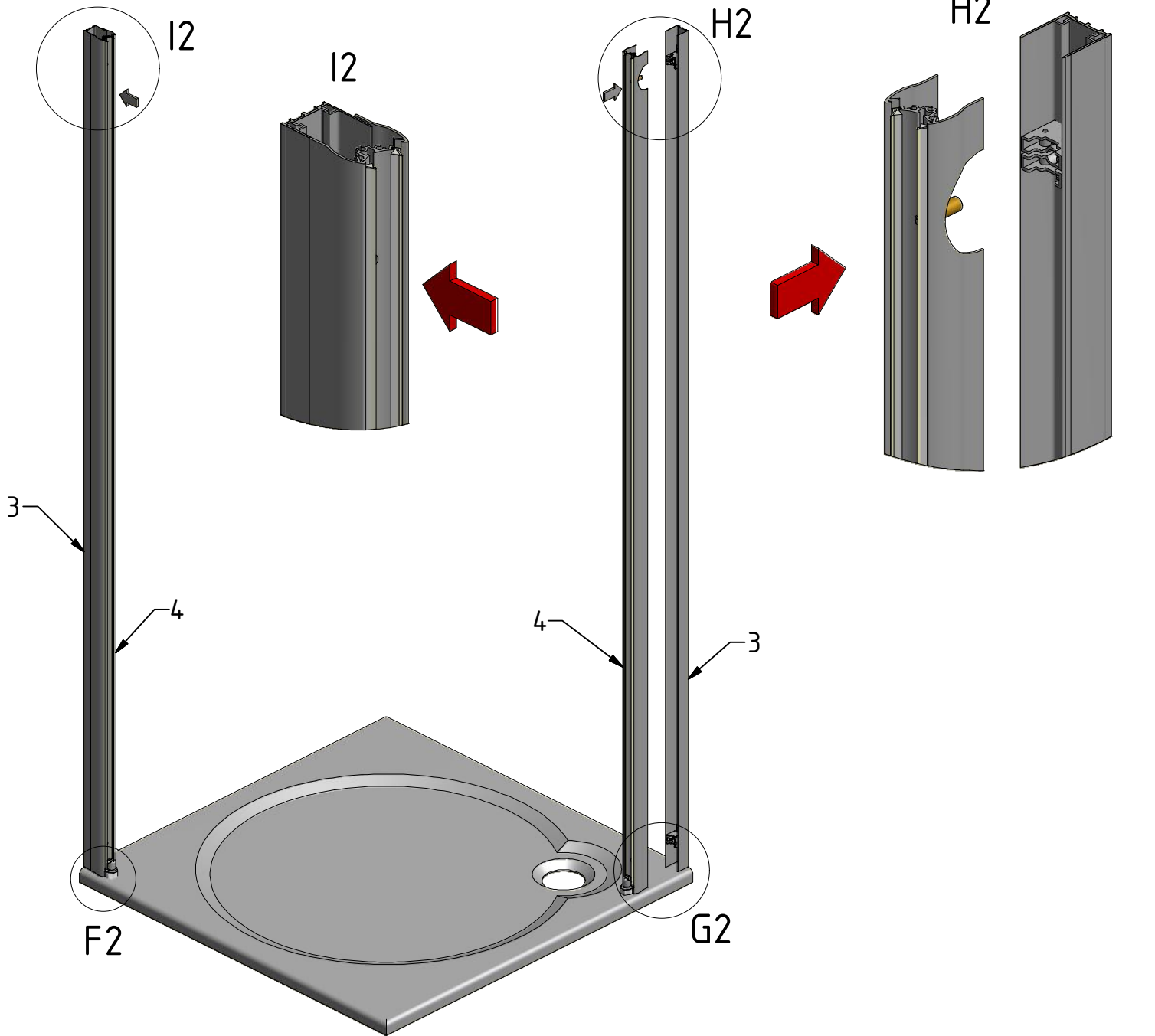
B2



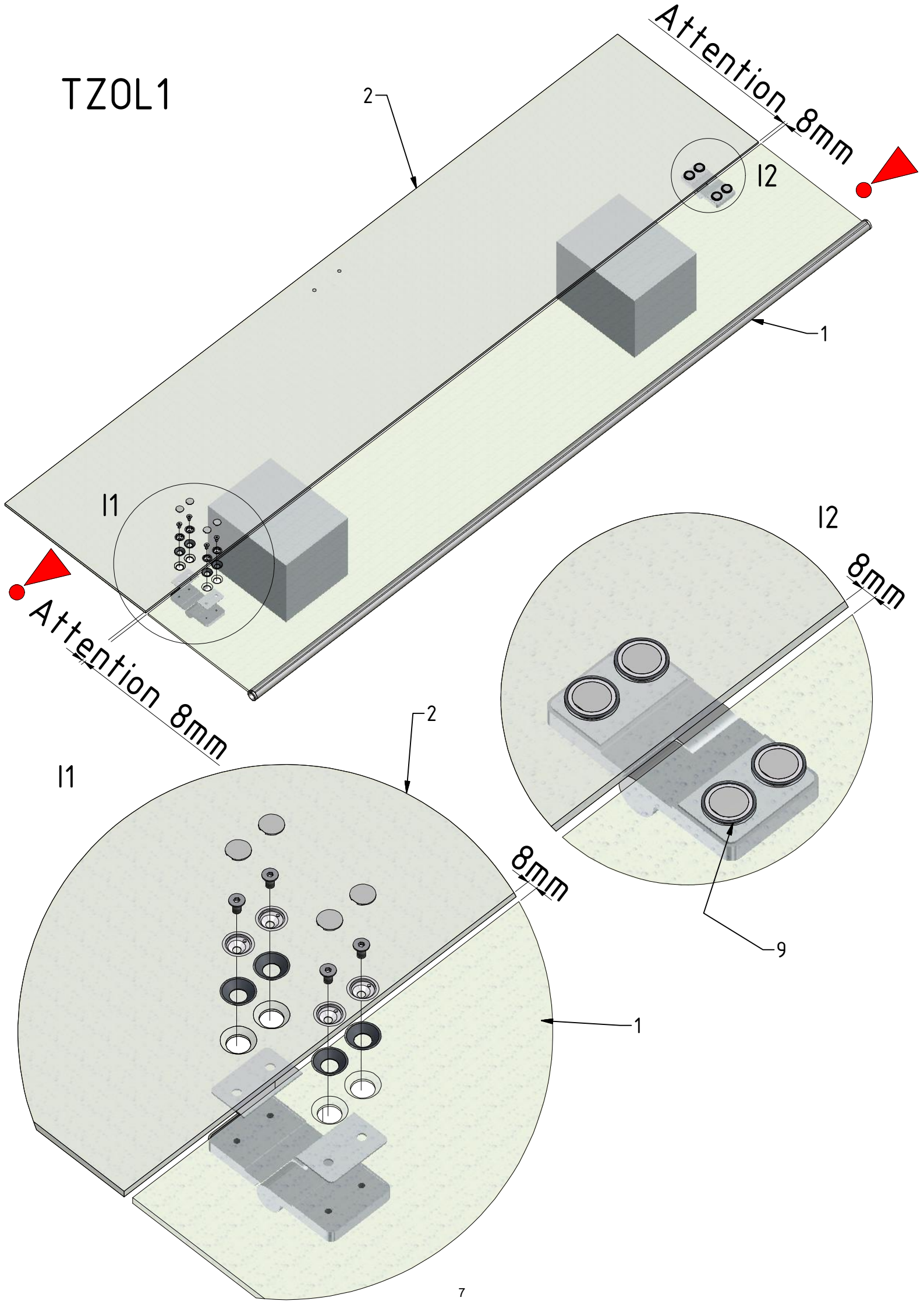
# Varianta I.

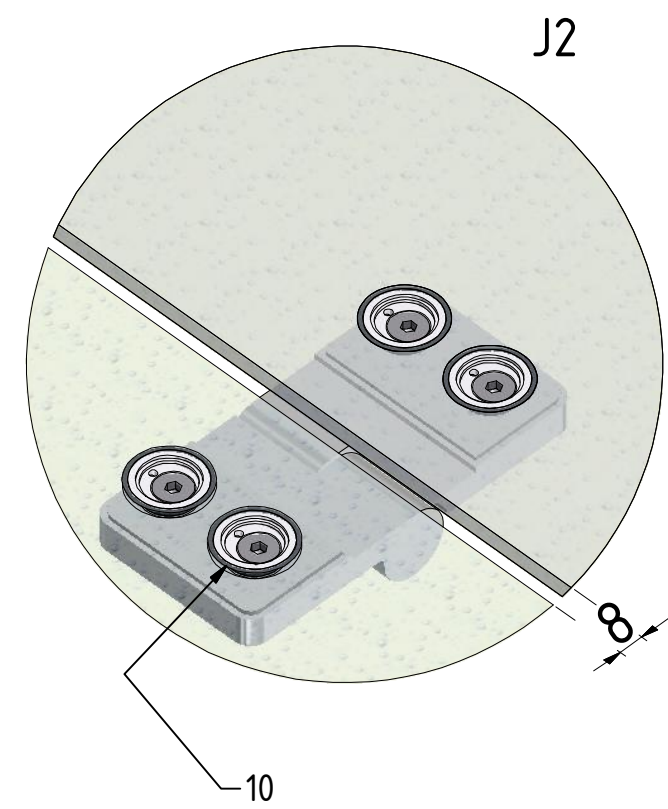
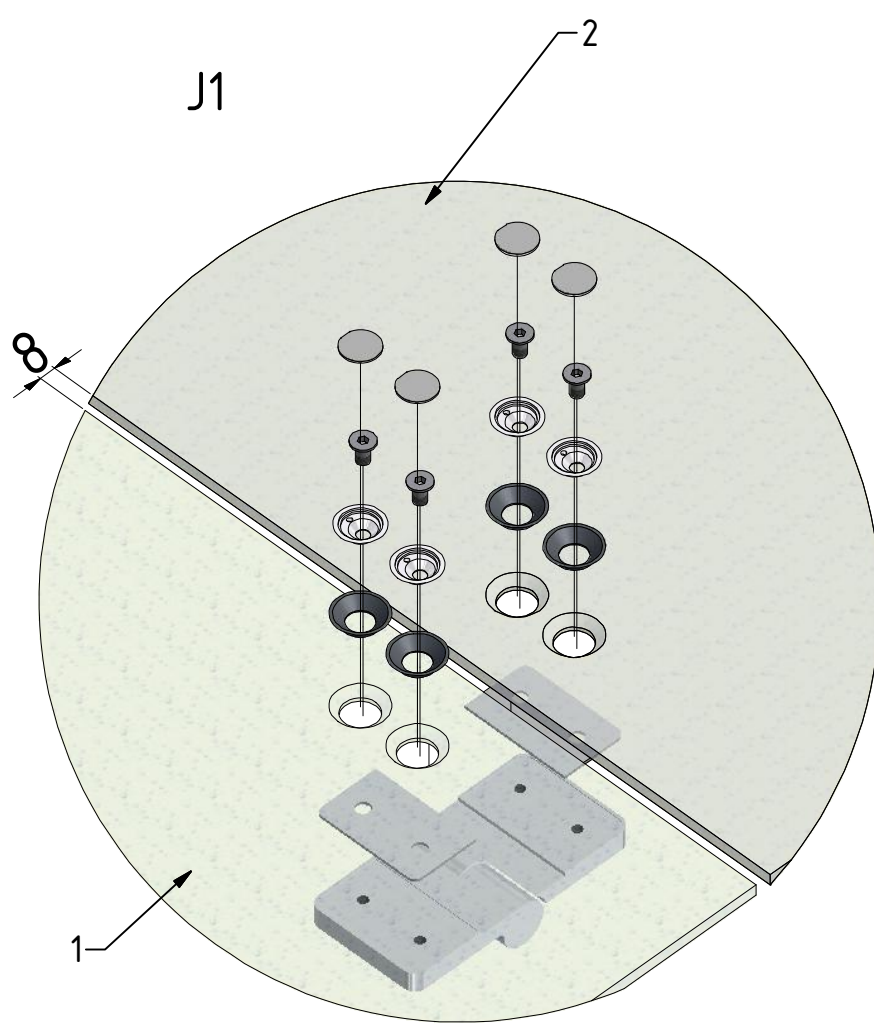
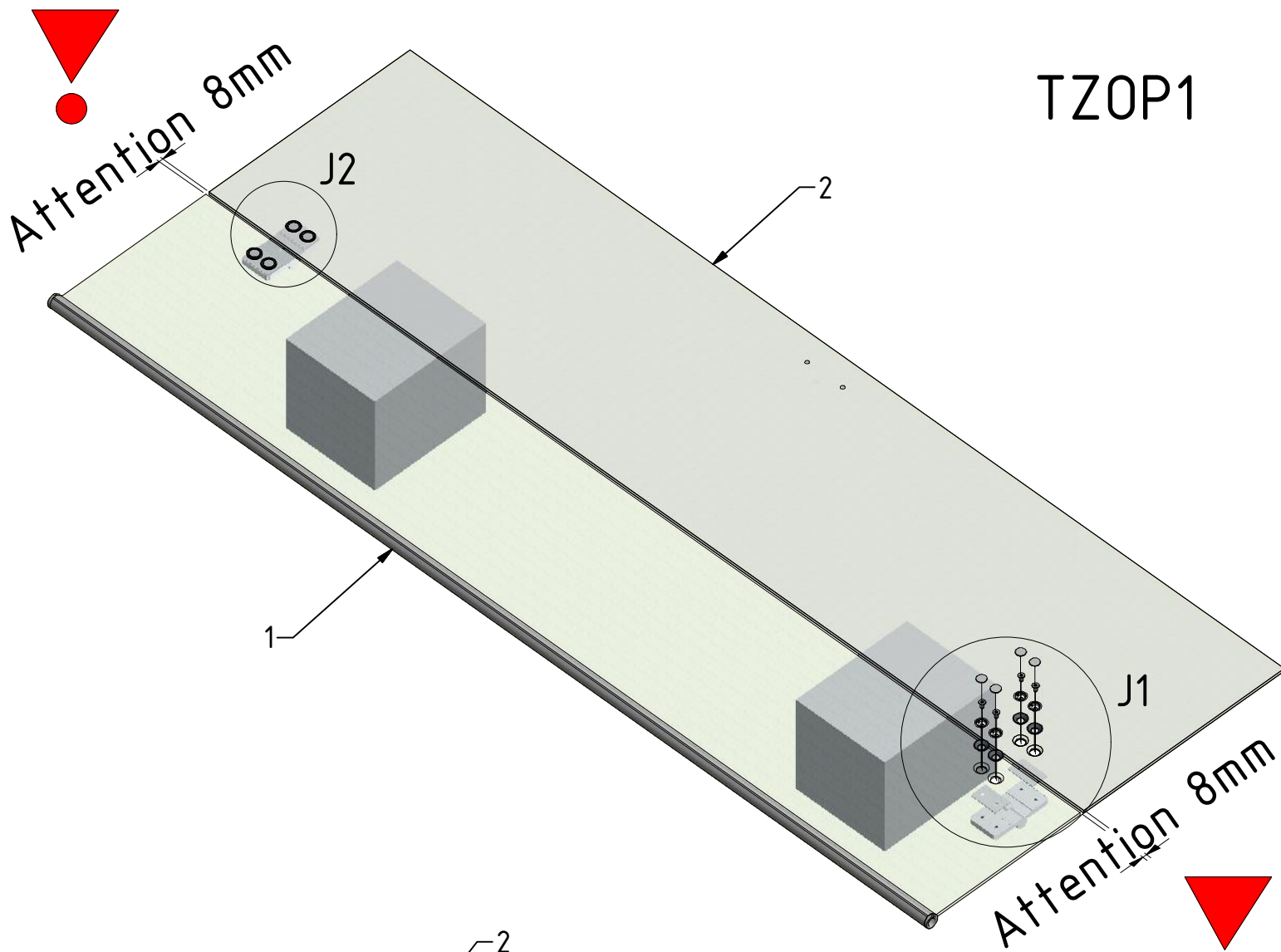


# Varianta II.

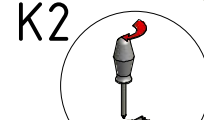
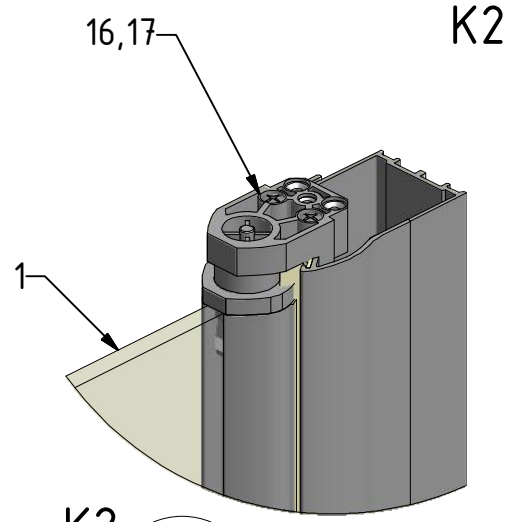
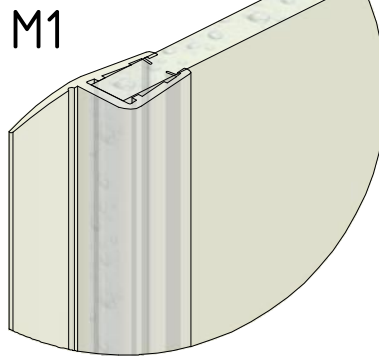
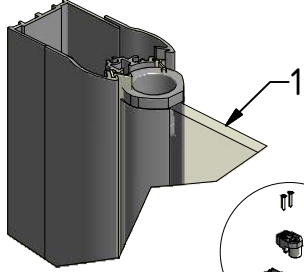
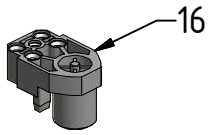
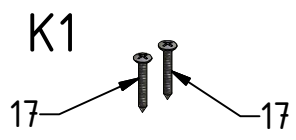


TZOL1





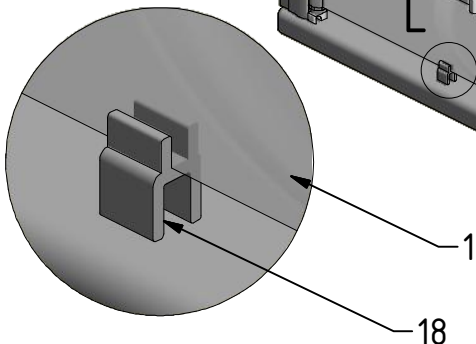




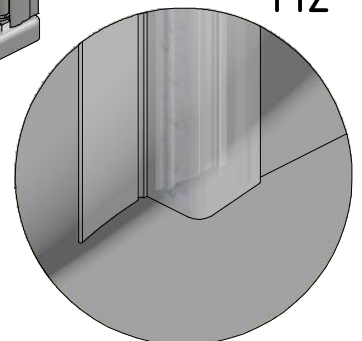
M1

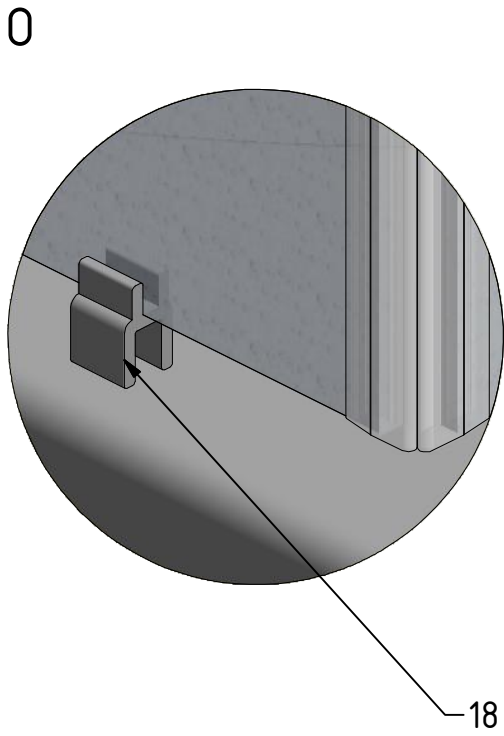
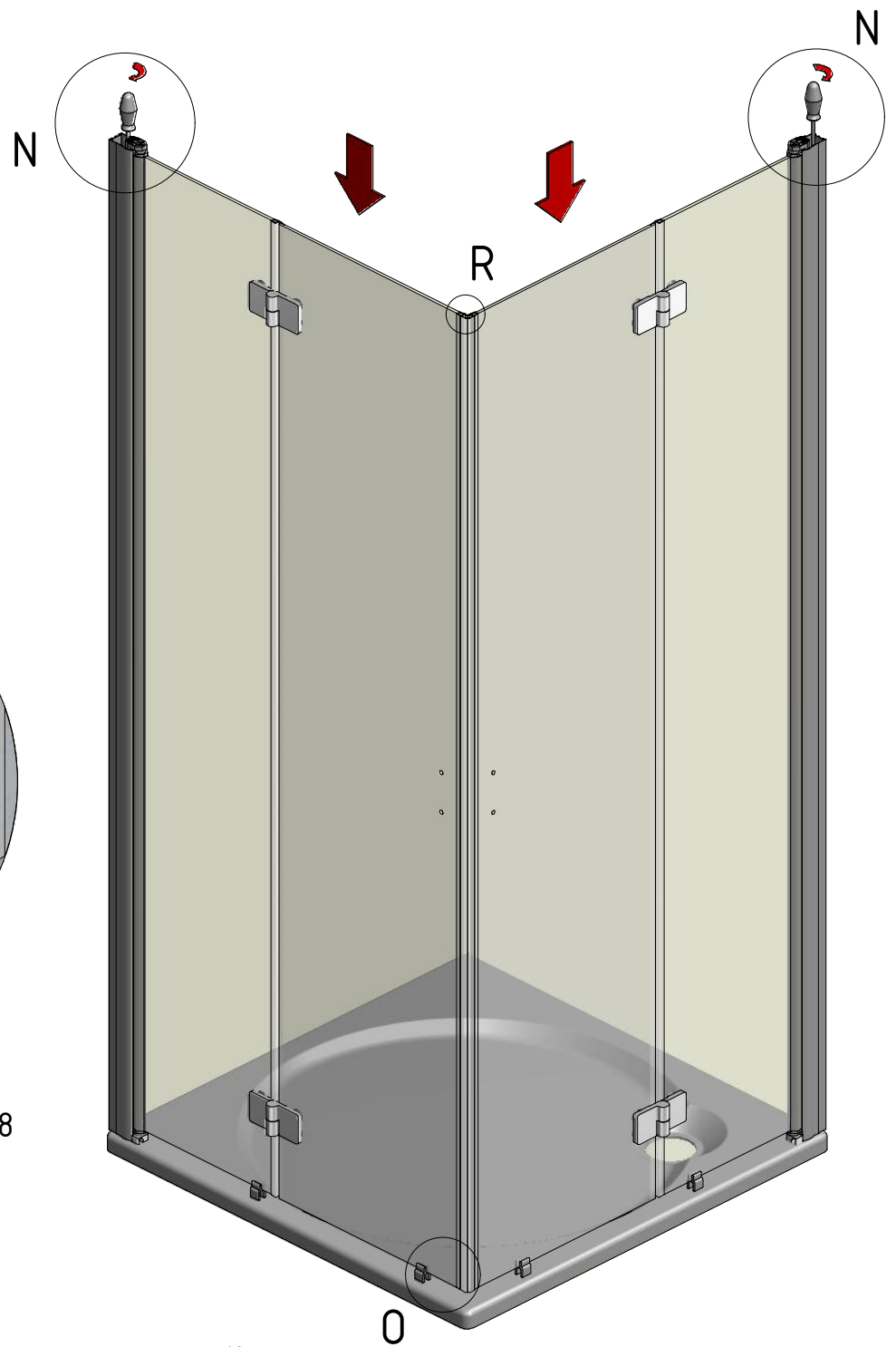
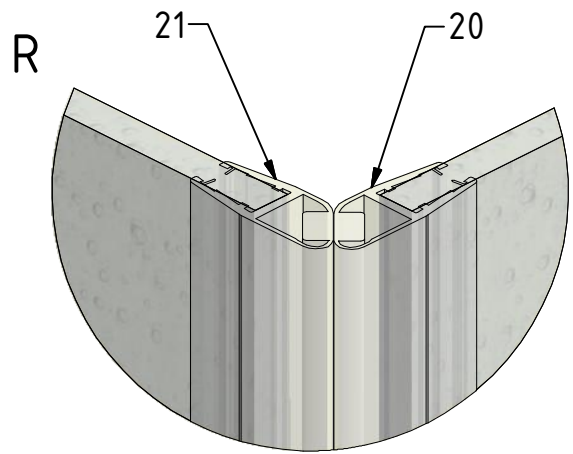
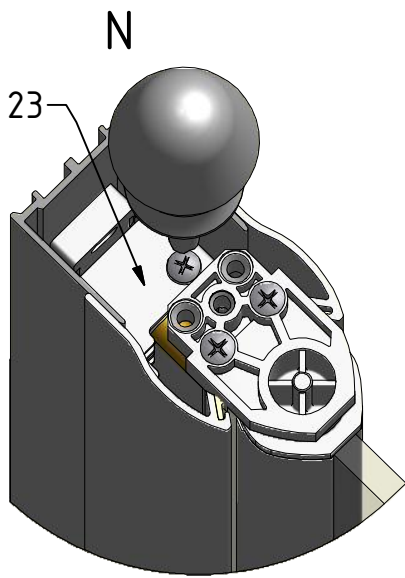


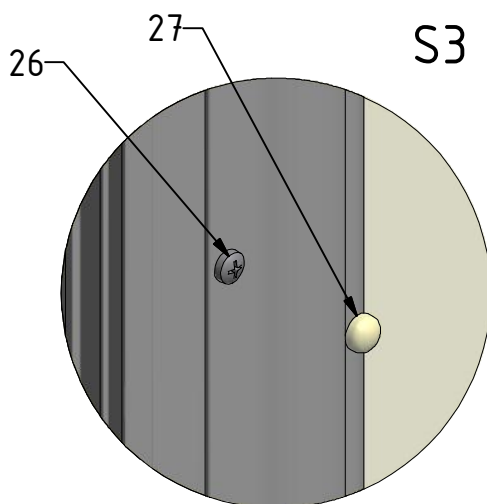
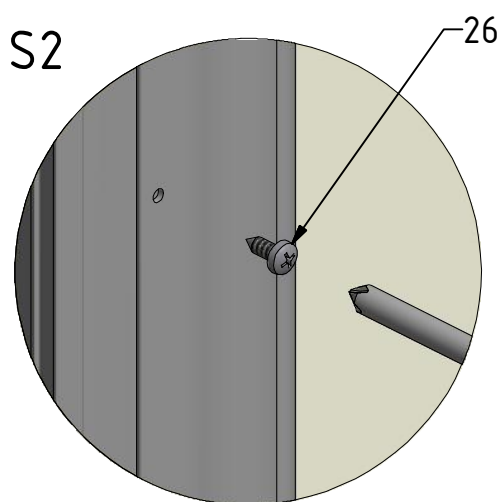
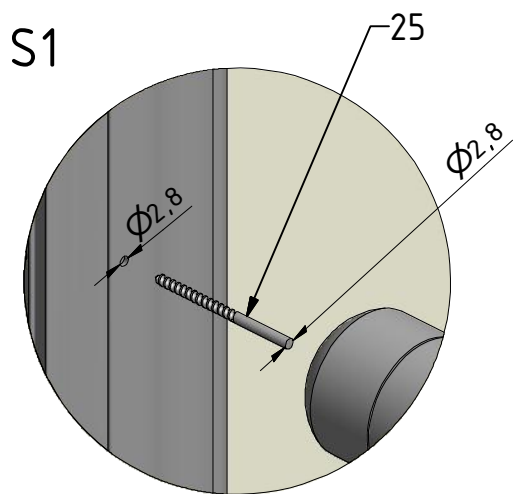
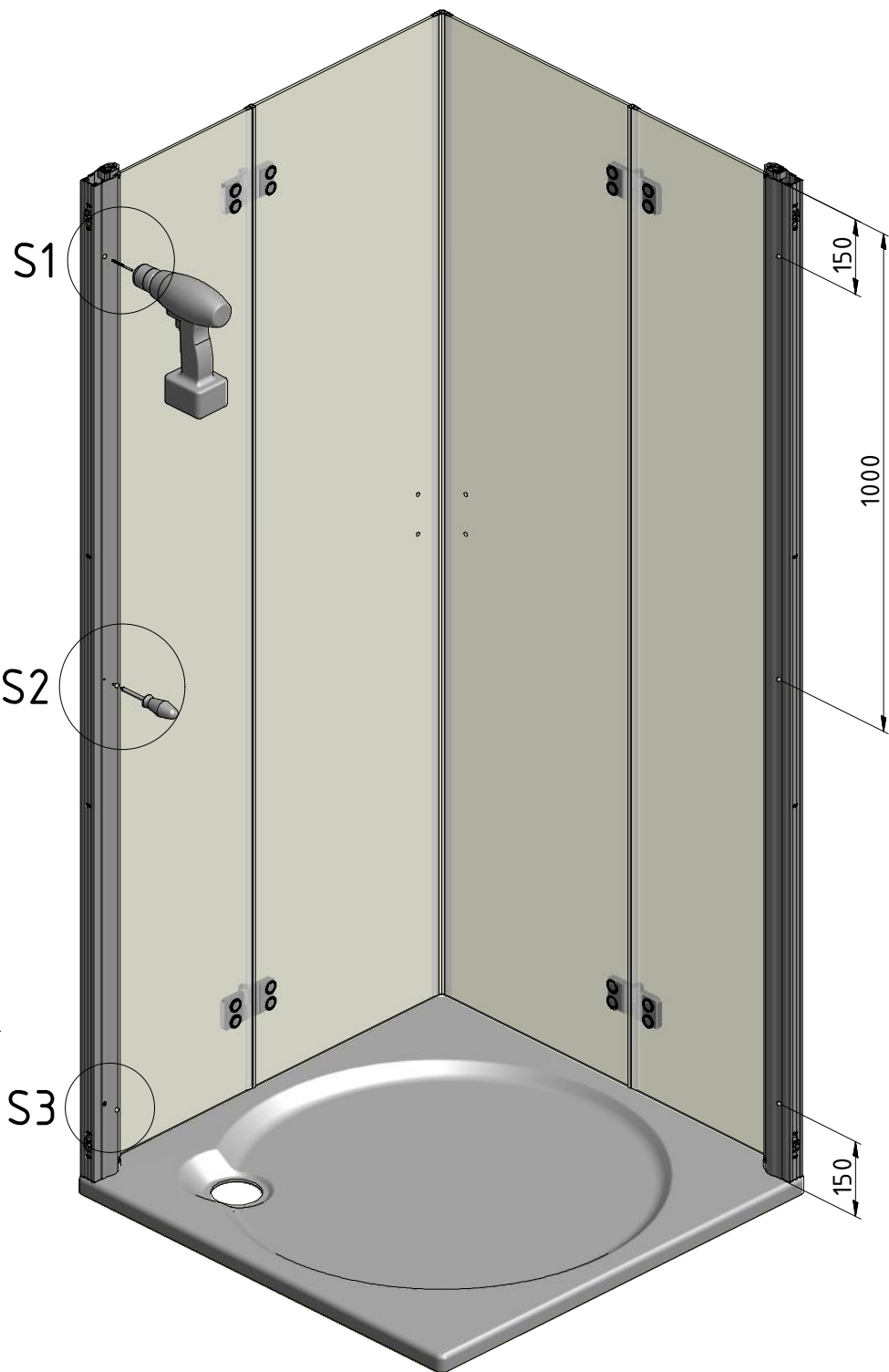
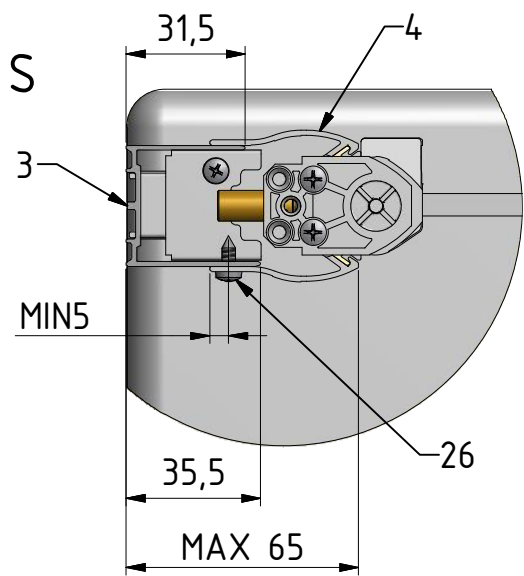
L

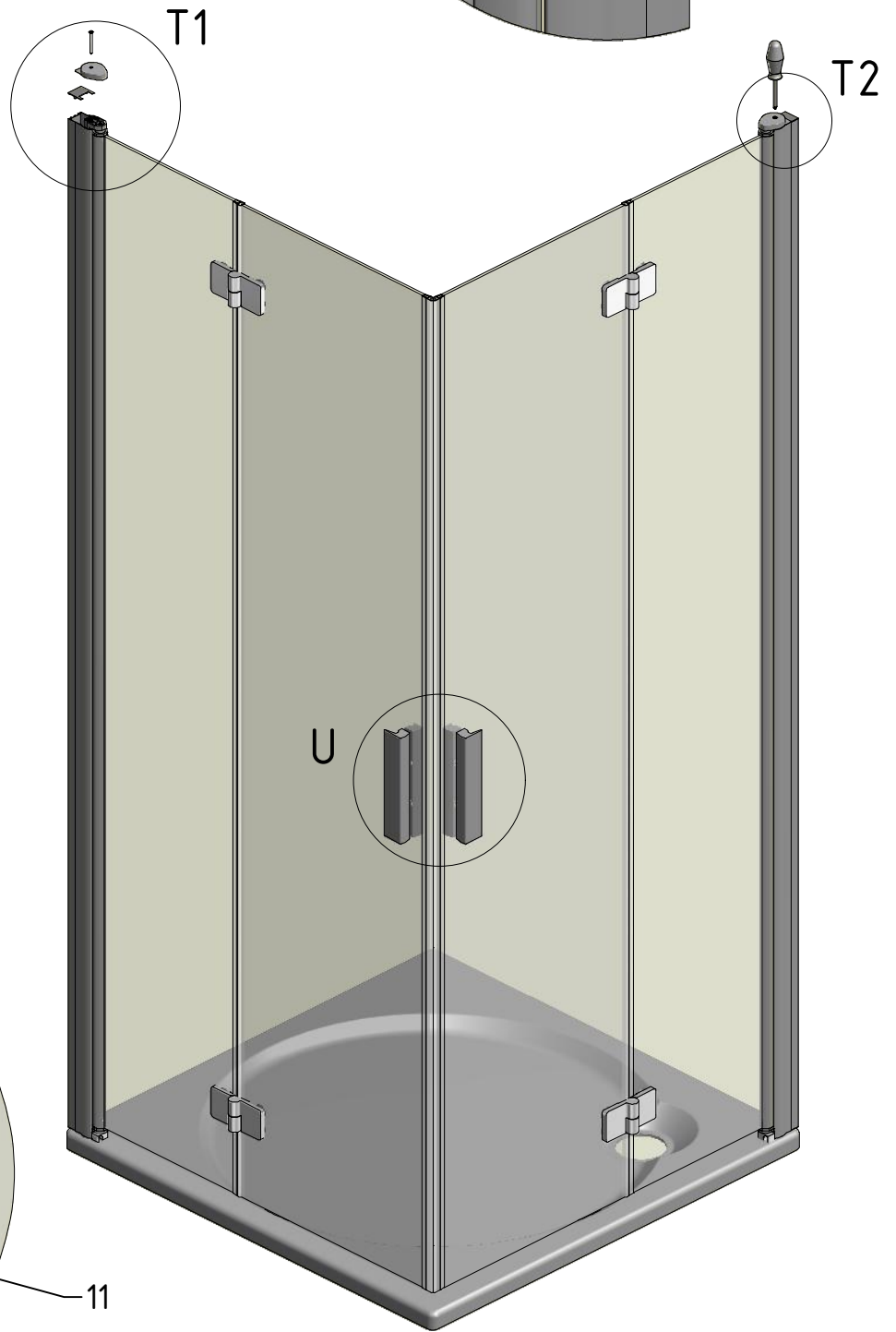
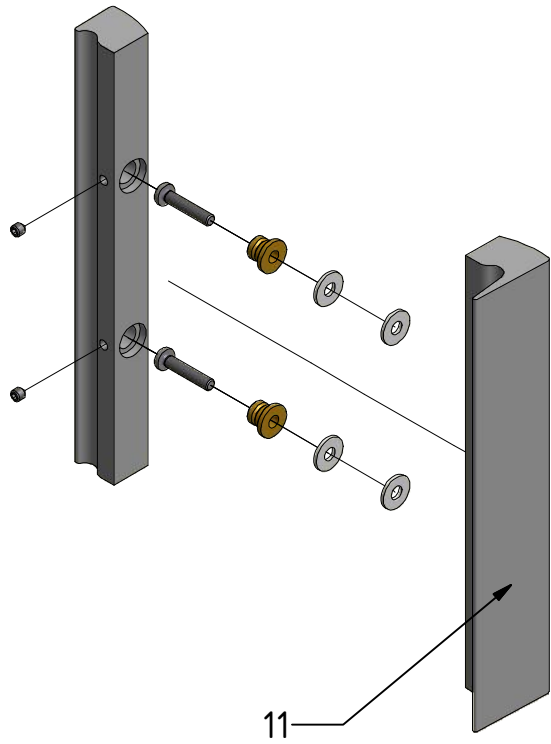
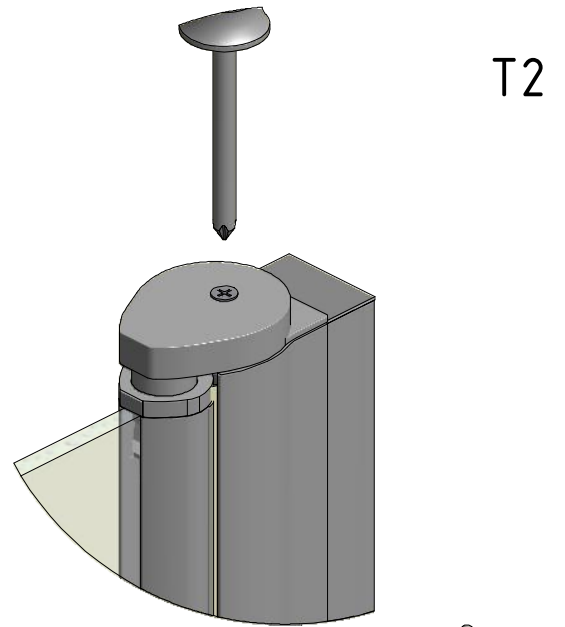
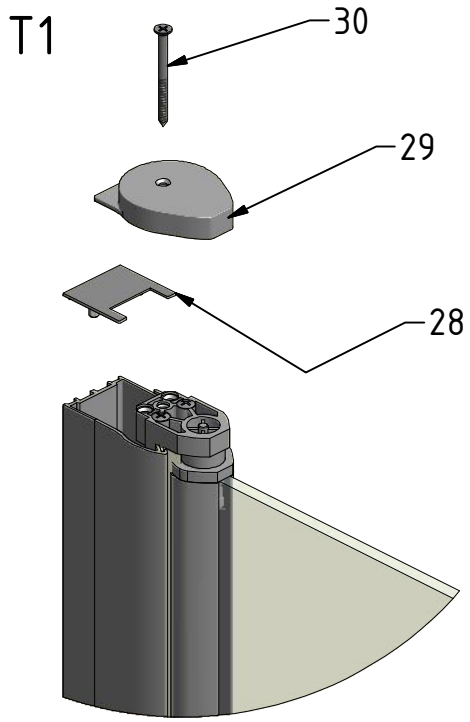


M2

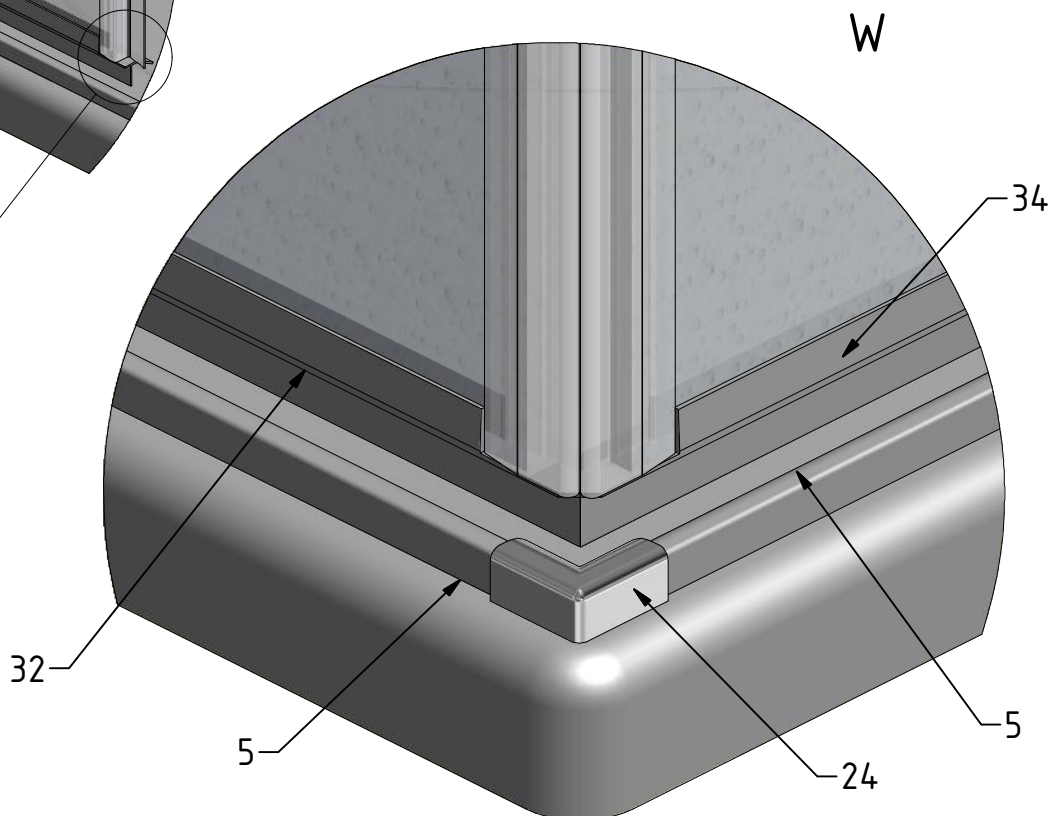
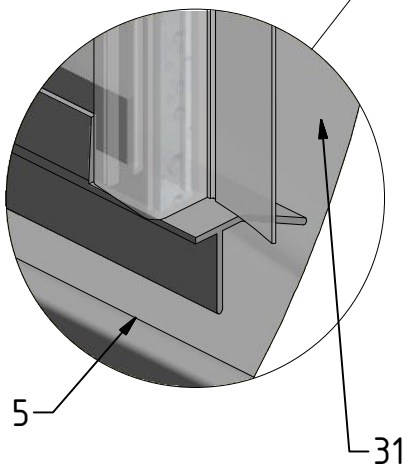
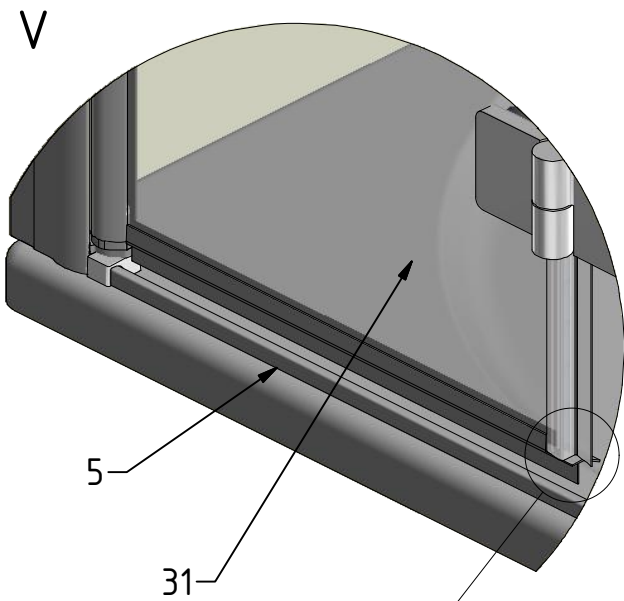
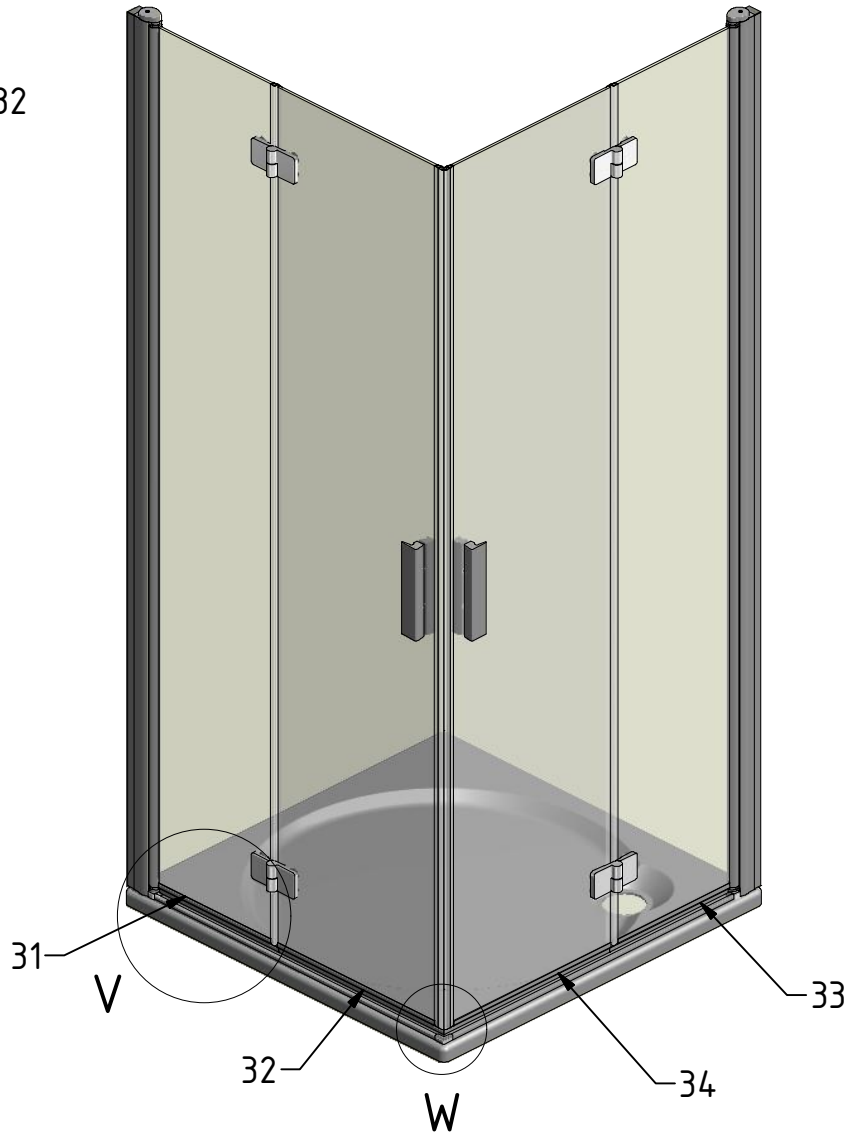
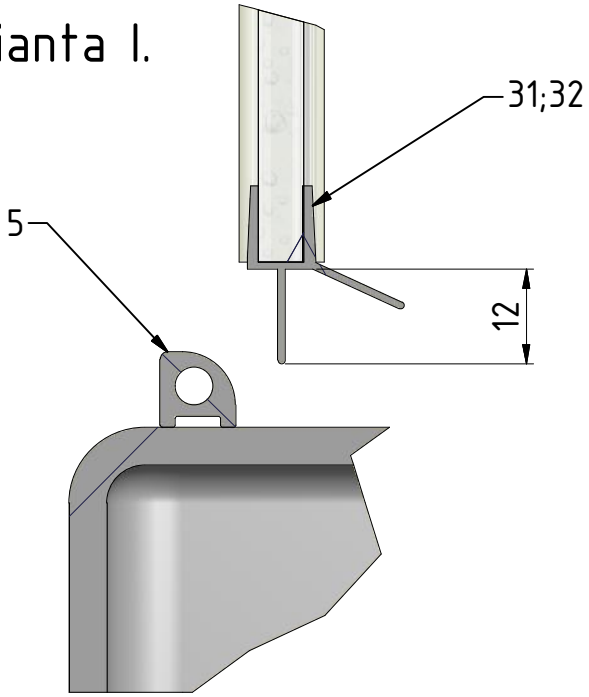




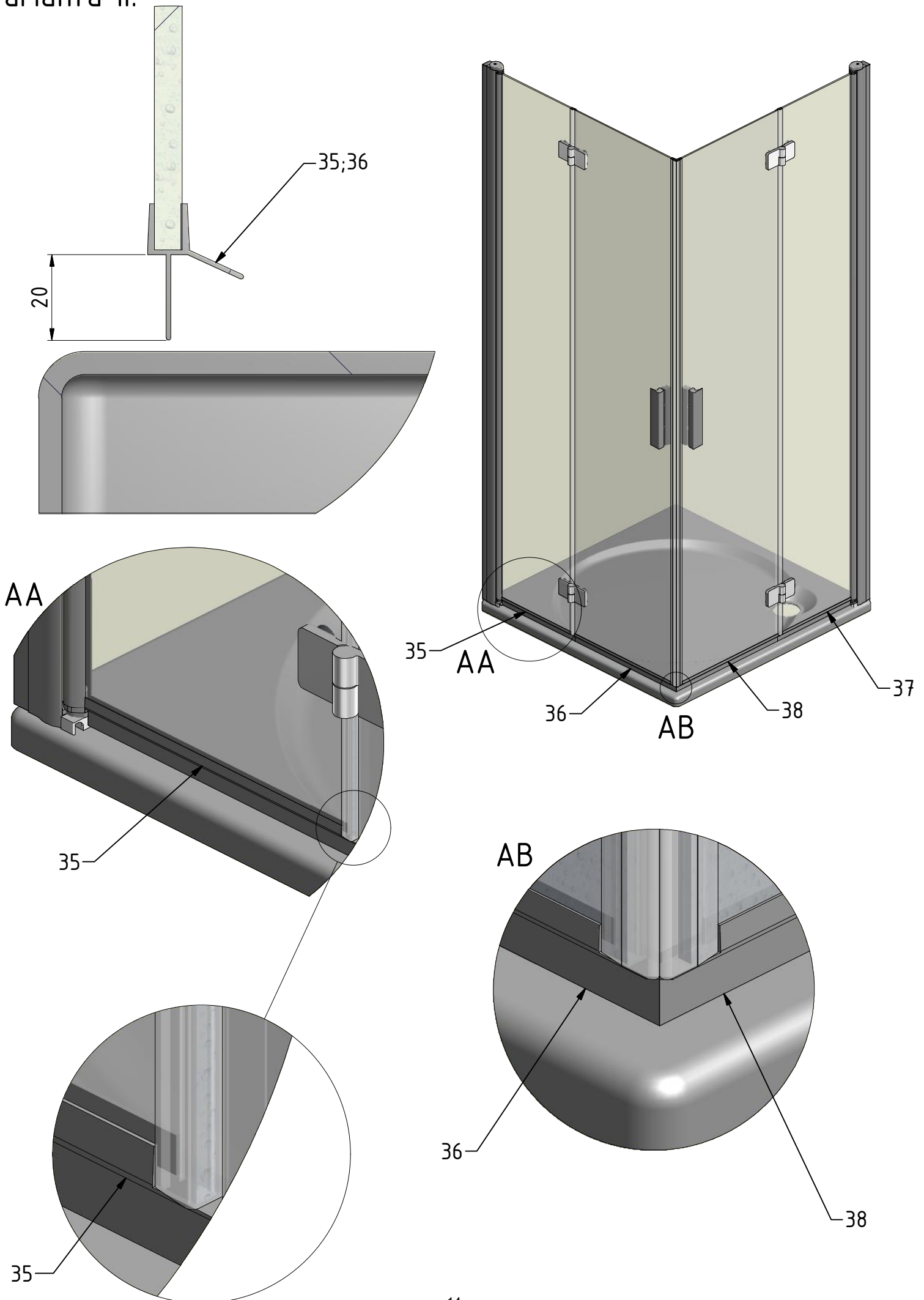




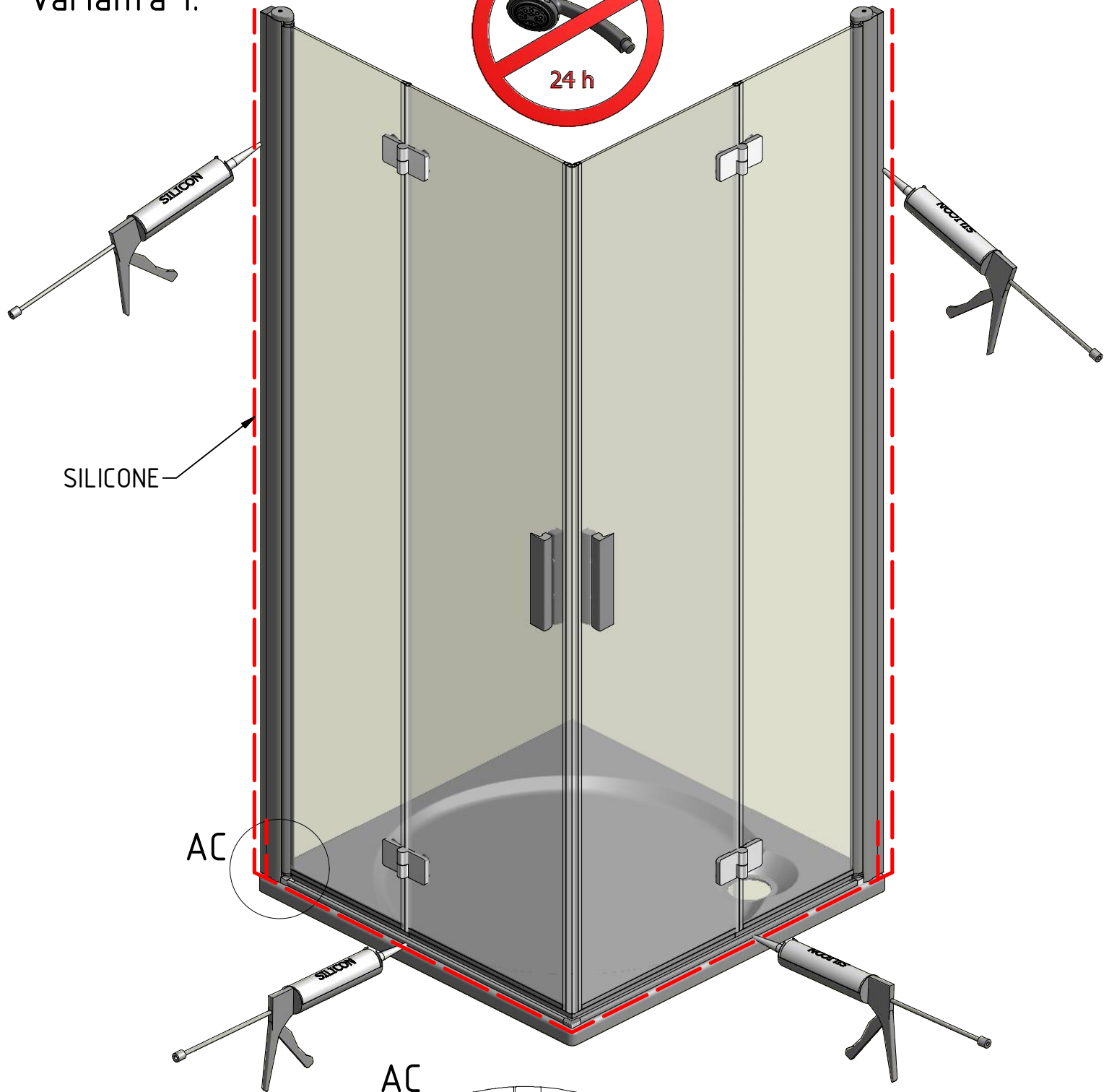
varianta I.



varianta II.



varianta I.



SILICONE

AC

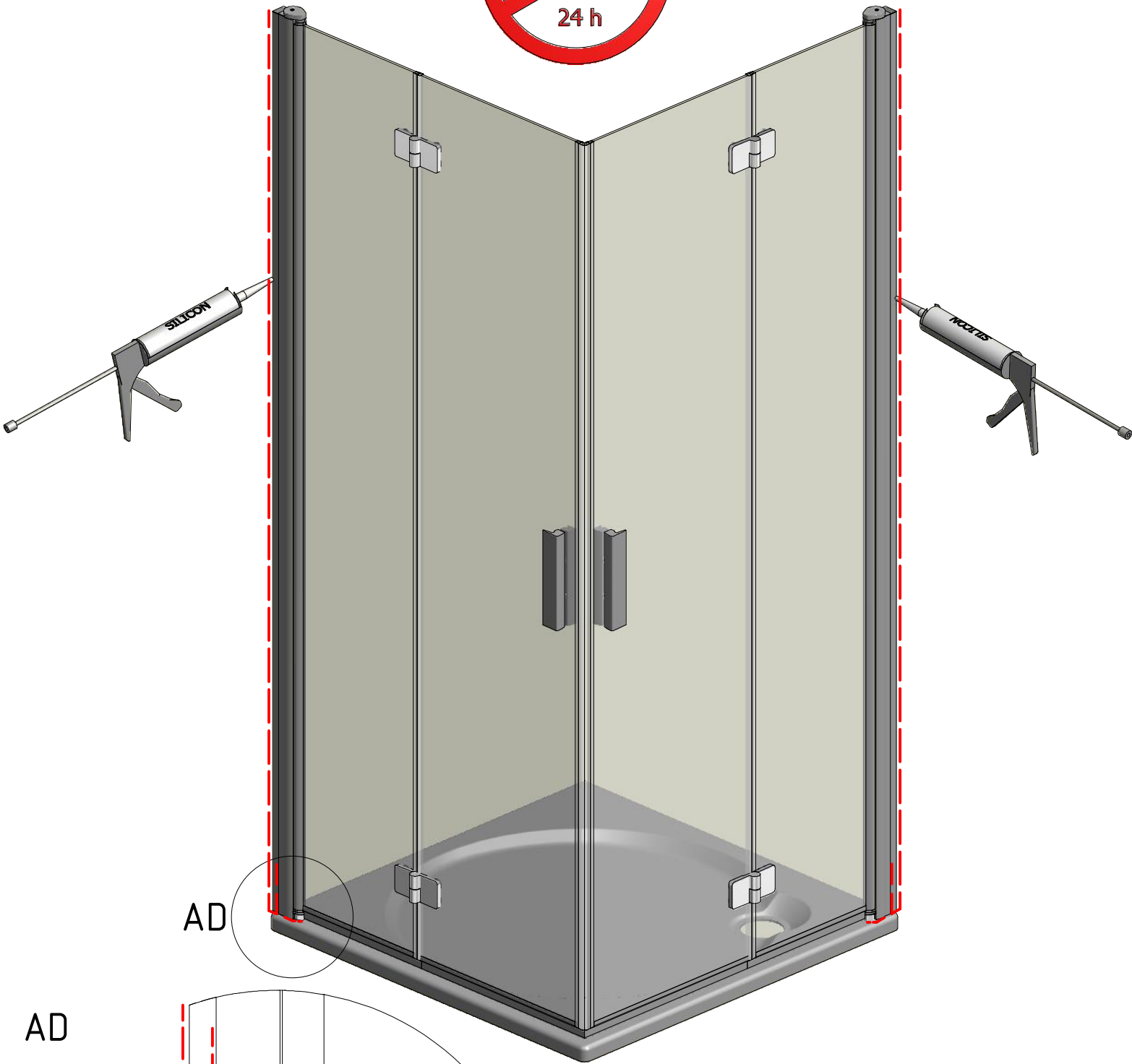
AC

Silicone

Silicone MIN 100mm

Silicone

varianta II.



AD

AD

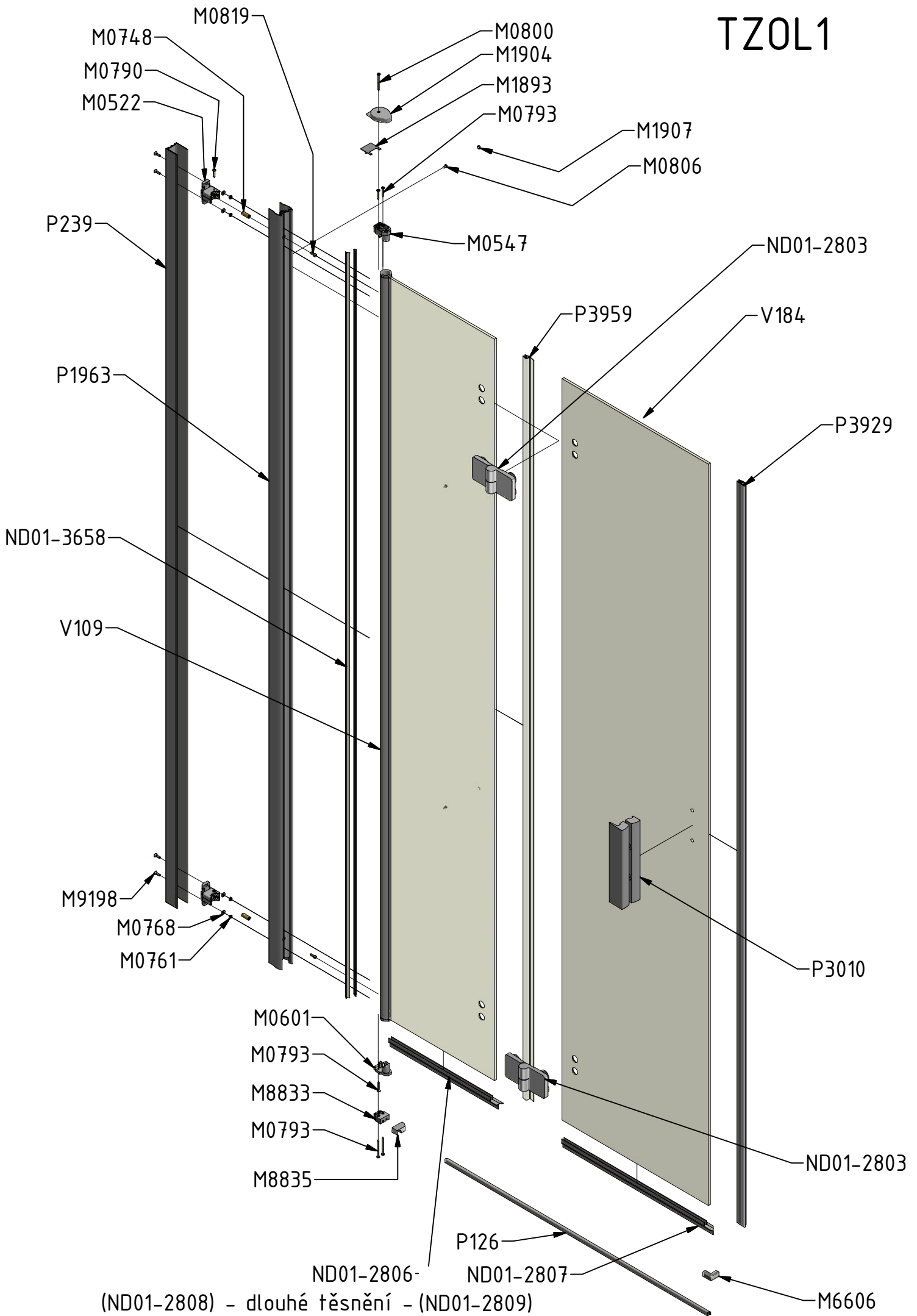
Silicone

Silicone MIN 100 mm

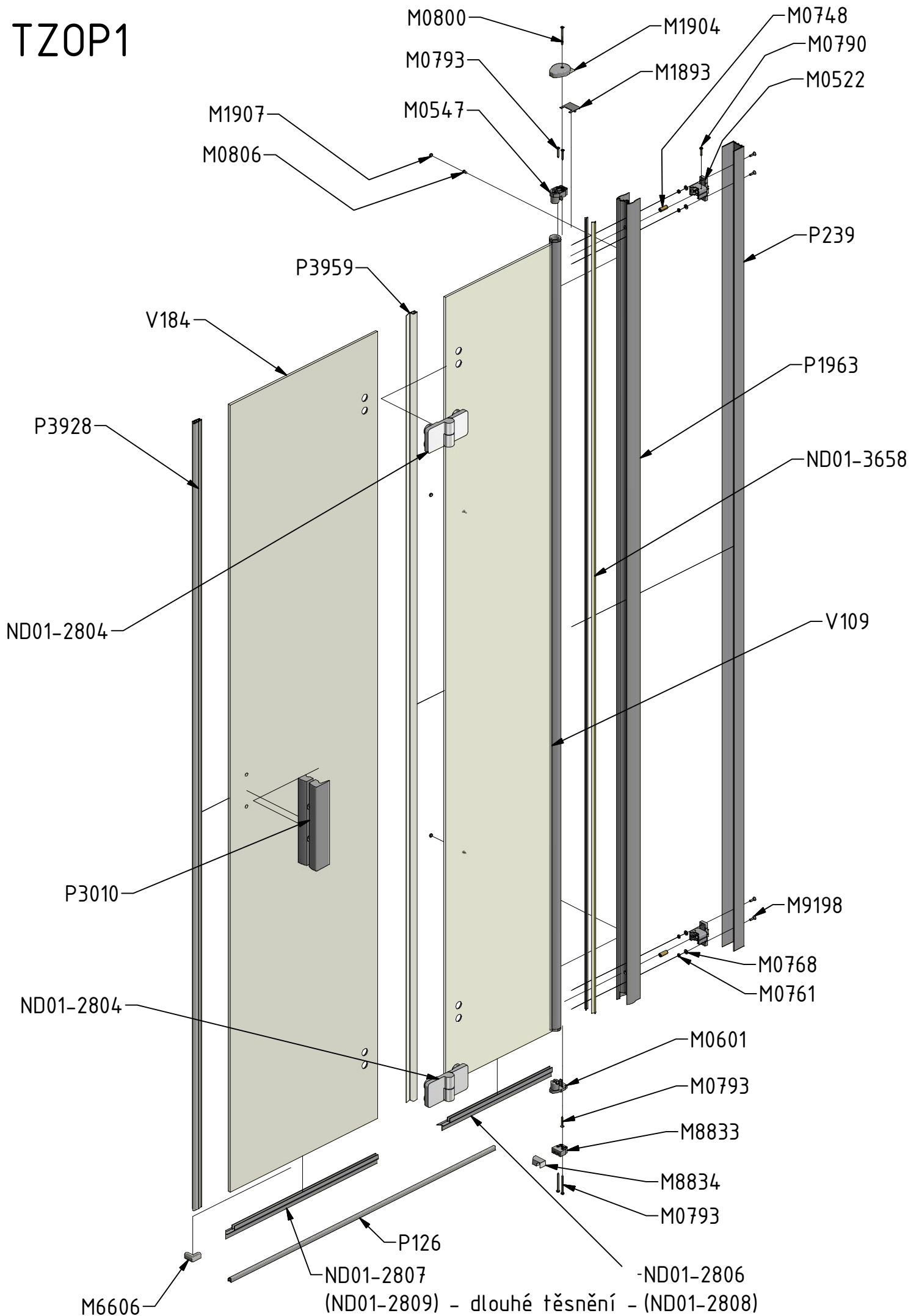
Silicone



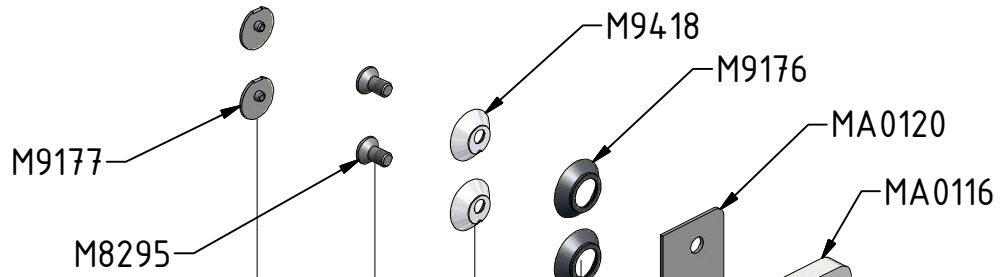
# TZOL1



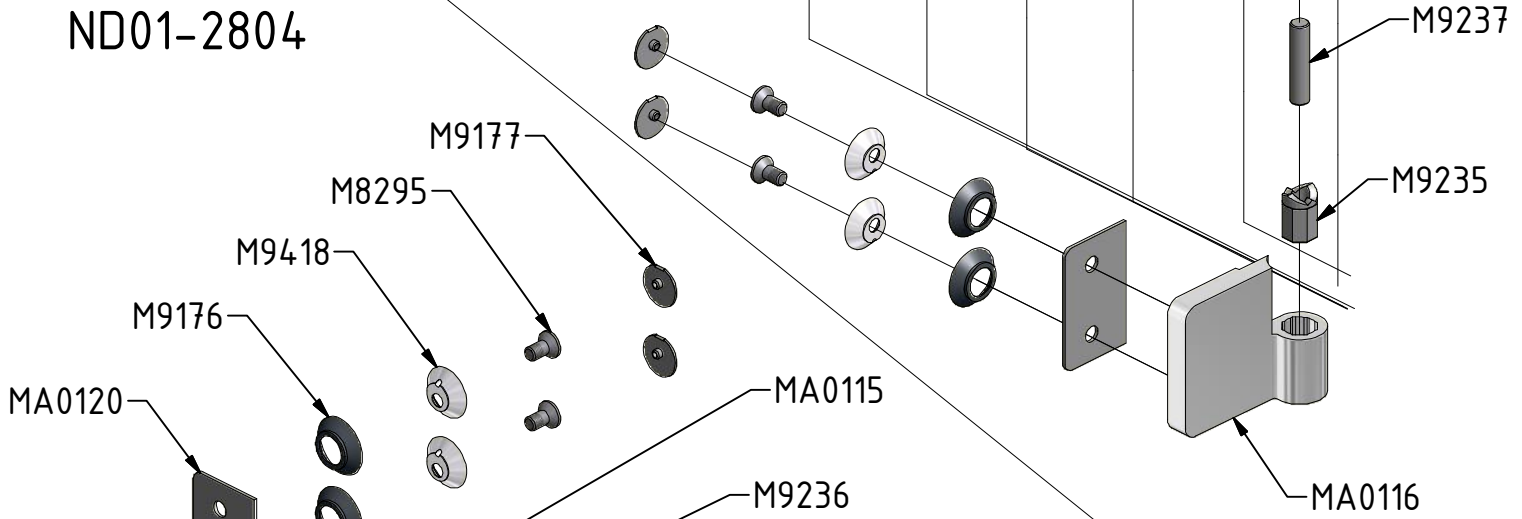
# TZOP1



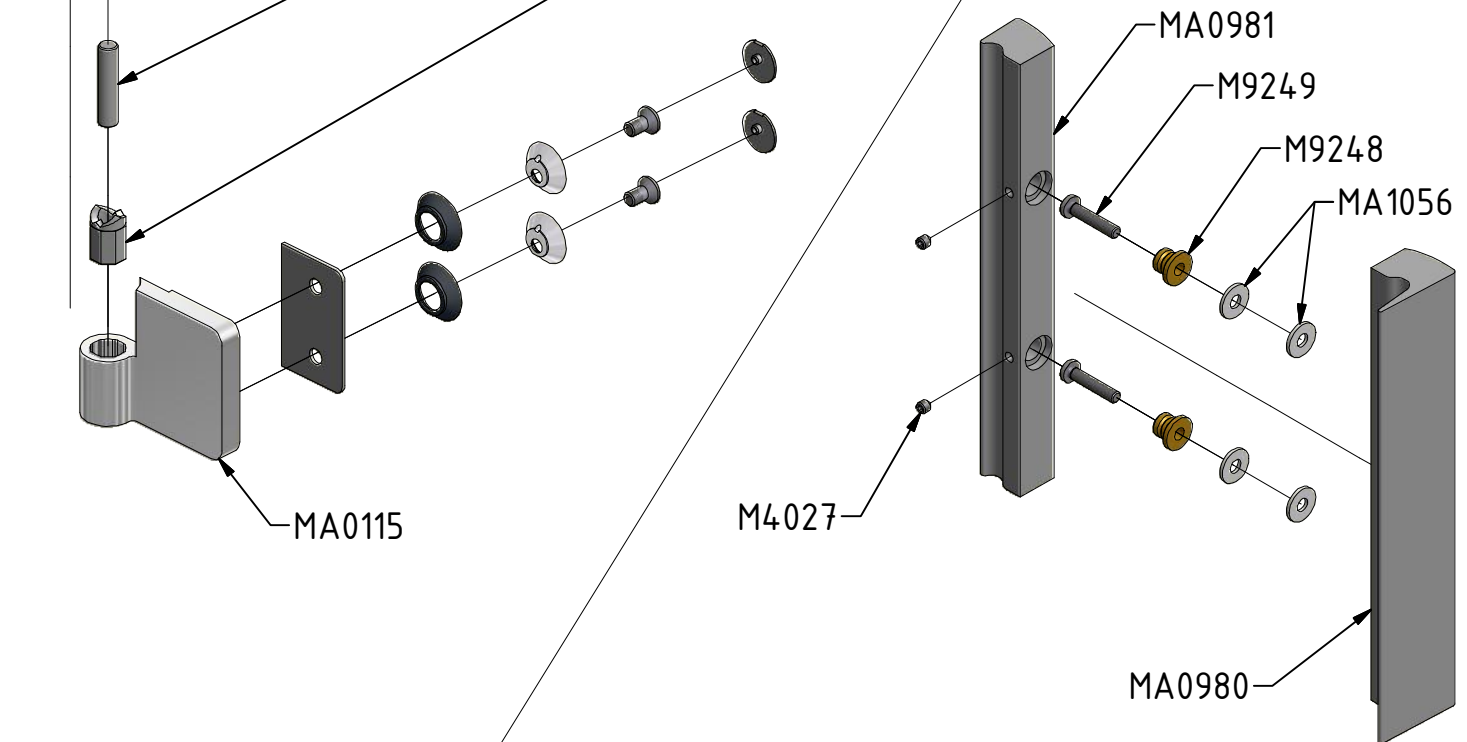
ND01-2803



ND01-2804



P3010



|      |           |                      |                    |                 |
|------|-----------|----------------------|--------------------|-----------------|
| P126 | 800       |                      |                    | ND01-2805-8     |
|      | 900       |                      |                    | ND01-2805-9     |
|      | 1000      |                      |                    | ND01-2805-1     |
|      | 1100      |                      |                    | ND01-2805-11    |
|      | 1200      |                      |                    | ND01-2805-12    |
| P239 |           | brillant             |                    | P3361           |
|      |           | stříbro              |                    | P3927           |
| V109 | 800       | brillant+clear glass | brillant+čiré sklo | ND02-0649-00-02 |
|      | 900;1000  | brillant+clear glass | brillant+čiré sklo | ND02-0650-00-02 |
|      | 1100;1200 | brillant+clear glass | brillant+čiré sklo | ND02-0651-00-02 |
| V184 | 800;900   | clear glass          | čiré sklo          | ND02-0747-00-02 |
|      | 1000;1100 | clear glass          | čiré sklo          | ND02-0748-00-02 |
|      | 1200      | clear glass          | čiré sklo          | ND02-0749-00-02 |